



Product: 36-Inch Contemporary Professional Gas Range
Model Number: ARG36/ARG36LP

TECHNICAL DETAILS

Fuel Type	Gas, LP Option Available
Installation Type	Freestanding
Color	Stainless Steel
Voltage	120V
Circuit Breaker	20A
Frequency	60Hz
Gas Line Regulator	1/2"
Control Type	Oven Function Button, LED Panel Display
Plug Type	3 Prongs Included
Cord Length	60"

BURNER PERFORMANCE

Cooktop	Continuous Grates, LP Convertible, Sealed Burners
Total Burners	6
[1] Front Left (Single)	12,000 BTU
[2] Front Center (Single)	18,000 BTU
[3] Front Right (Single)	12,000 BTU
[4] Rear Left (Single)	9,000 BTU
[5] Rear Center (Single)	12,000 BTU
[6] Rear Right (Single)	9,000 BTU



FEATURES & BENEFITS

- +** **Six Sealed Burners:** From a high-powered 18,000 BTU burner to a steady 9,000 BTU burner, this range gives you the power you need for large family meals.
- +** **Large Oven Capacity:** 6.0 cu. ft. oven capacity can accommodate multiple dishes for enhanced cooking.
- +** **One-Piece Porcelain Spill Tray:** One-piece porcelain spill tray on cooktop catches the mess and makes cleanup easy.
- +** **LED Display Screen:** LED display screen, oven function button operation.
- +** **Convection Fan:** Convection fan provides controlled heat distribution for fast and efficient cooking.

OVEN PERFORMANCE

Oven Capacity	6.0 cu. ft.
Oven Color	Black
Oven Features	Bake, Broil, Conv Bake/Roast, Pizza, Keep Warm
Bake Burner Power	18,500 BTU
Broil Burner Power	13,500 BTU
Convection	Convection Fan
Oven Light	1*40W, Rear
Oven Racks	2
Oven Rack Material	Chrome Plated
Baking Sheet Size	Fits up to 28" x 14" Sheet
Oven Internal Height	18"
Oven Internal Width	29.7"
Oven Internal Depth	19.4"

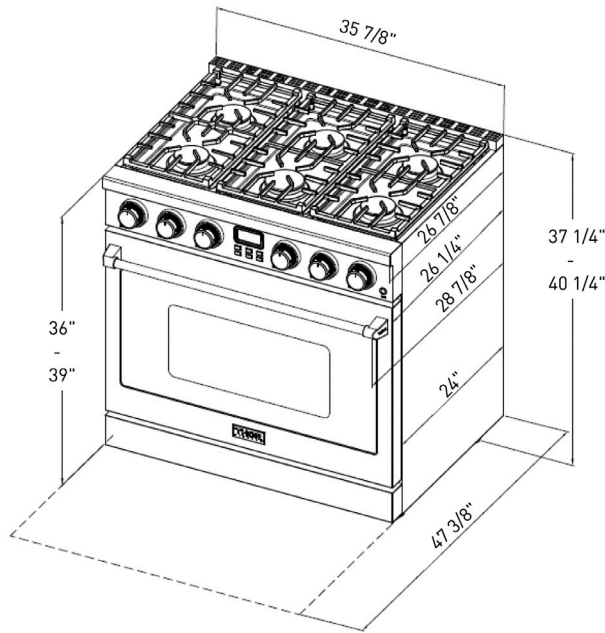


 **WARRANTY: 2 YEARS PARTS AND LABOR**



PRODUCT DIMENSIONS

Product Width	35 7/8"
Product Height (from bottom to top of back splash)	37 1/4" - 40 1/4"
Product Height (from bottom to top of side panel)	36" - 39"
Product Depth (from back panel to bullnose)	26 7/8"
Product Depth (from back panel to control board)	26 1/4"
Product Depth (from back panel to side panel front)	24"
Adjustable Leg Sizes	3" Max
Cutout Height	36"
Cutout Width	36"
Cutout Depth	24"
Net weight	195 lbs
Gross weight	250 lbs



ACCESSORIES

2 Oven Racks, 1 Broiler Pan, 1 Bake Pan

ACCESSORIES (NOT INCLUDED)

LP Kit Includes Orifices And Gas Regulator Caps

