



**Product:** 36-inch French Door Built-in Refrigerator  
**Model Number:** XRF3619BFP

**FEATURES & BENEFITS**

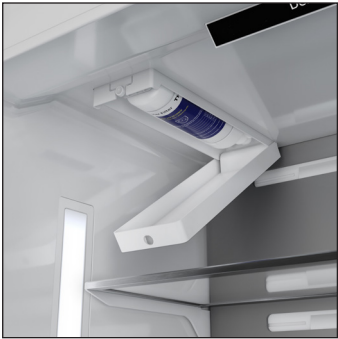
- + Flush Hinge Installation Benefits:** Seamlessly integrates with cabinetry for a polished look, enhancing kitchen aesthetics.
- + Digital Display:** Conveniently monitor settings and temperatures at a glance for precise control and food preservation.
- + Soft-close Drawers:** Ensures gentle and silent closing, preventing slamming and reducing wear and tear over time.
- + Customized Modes:** Tailor refrigerator operation with Sabbath, Holiday, and ECO modes, optimizing energy usage and functionality.
- + Interior Water Dispenser:** Provides easy access to clean and fresh water, especially convenient for units equipped with an ice maker.
- + Height-adjustable Shelves:** Offers flexibility in organizing storage space, accommodating items of various sizes with ease.
- + Spill-proof Glass Shelves:** Facilitates easy cleaning and maintenance, preventing spills from reaching other parts of the refrigerator.
- + LED Interior Lighting:** Illuminates the interior for better visibility, making it easier to locate items and enhancing the overall user experience.
- + Ultra-quiet Operation:** Operates at an ultra-quiet 43 dB(A) for a peaceful kitchen environment without compromising performance.
- + Appliance Leveling Capability:** Front-leveling capability ensures optimal stability and alignment, preventing issues related to uneven surfaces.
- + Easy Door Panel Alignment:** Simplifies the adjustment of door panels for a polished and cohesive appearance in the kitchen.

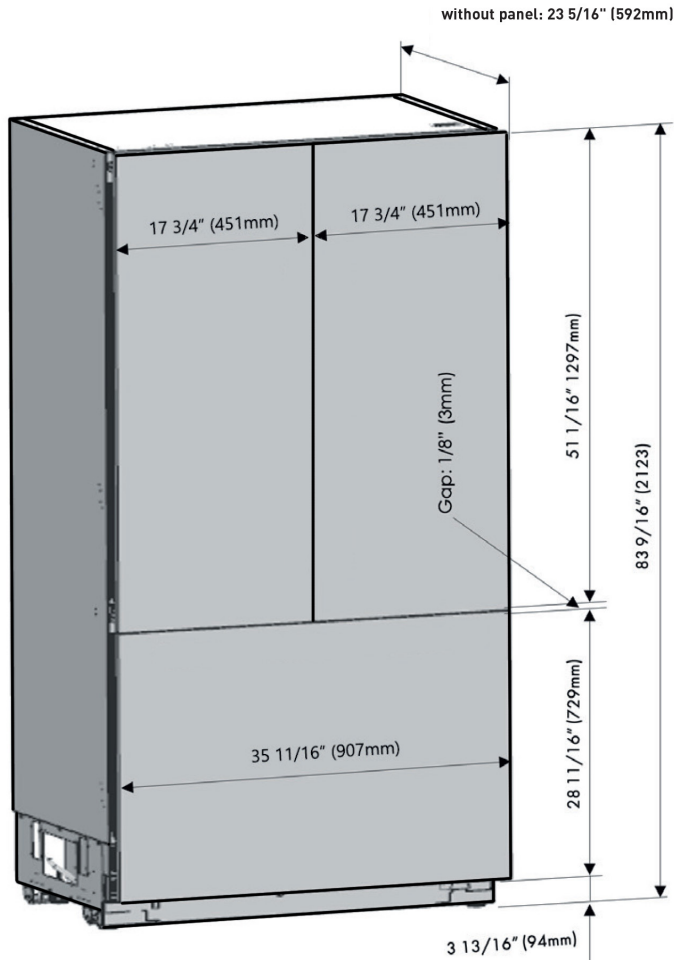
**TECHNICAL DETAILS**

Total Capacity (cu. ft.)	19.6
Refrigerator Capacity (cu. ft.)	14
Freezer Capacity (cu. ft.)	5.6
Amperage or Current (A)	3
Volts (V)	120
Frequency (Hz)	60
Plug Type	3-Prong Grounding Plug
Power Cord Length (in.)	86.6
Energy consumption	589 kwh/yr

 **WARRANTY: 2 YEARS PARTS AND LABOR**







### GENERAL PROPERTIES

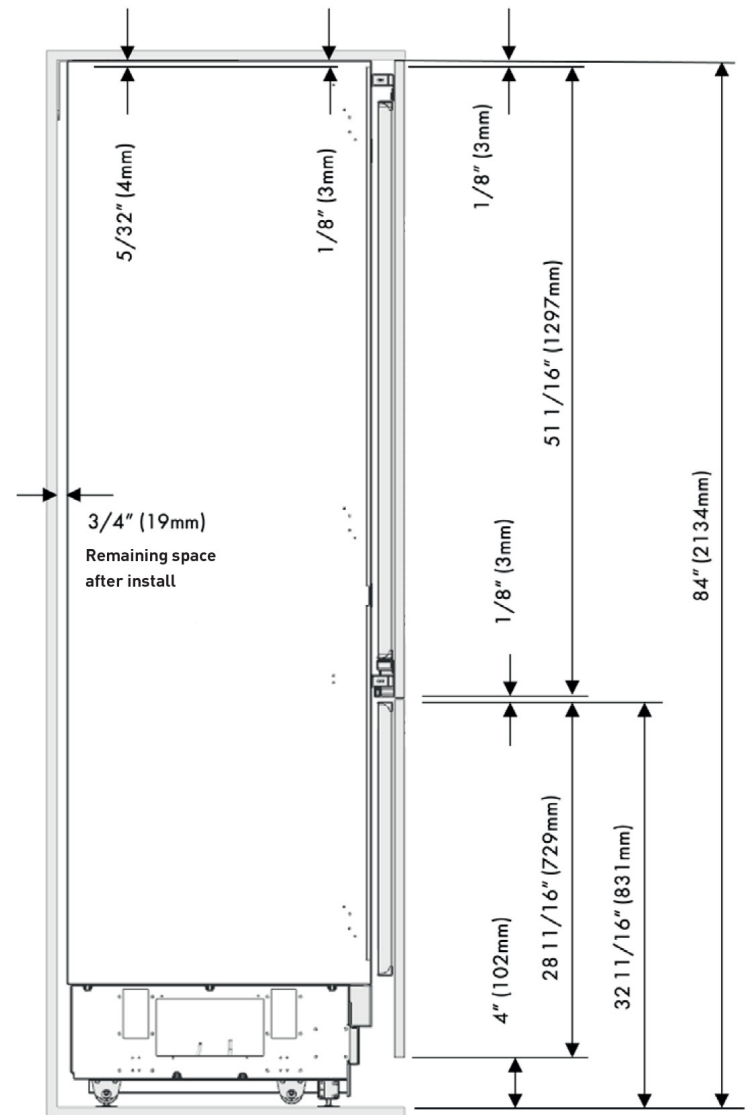
Number Of Doors	3
Number Of Shelves	3
Number Of Freezer Baskets	2
Number of Door Bins	6 (5 + 1 Gallon Bin)
Adjustable Racks & Removable Shelves	3
Shelf Material	Glass
Reversible Door Swing	No
Soft Closing Drawer Feature	No
Water Filter	Yes
Lighting	LED
Freezer Defrost Process	Automated Defrosting
Refrigerator Adjustable Temp	+36°F(2°C) to +46°F(8°C)
Chiller Zone Adjustable Temp	+30°F(-1°C) to +41°F(5°C)
Freezer Adjustable Temp	+5°F(-15°C) to -11°F(-24°C)

### PRODUCT DIMENSIONS & WEIGHTS

Product Dimensions (WxDxH)	35 3/4" x 23 5/16" x 83 9/16"
Package (WxDxH)	38 3/16" x 26 3/8" x 90 9/16"
Product Extra Width Clearance with Door Open 90 Degrees	42"
Product Height to Top of Refrigerator	83 9/16 (+1)
Cutout Dimensions (WxDxH)	36" x 25" x 84"
Product Weight	355 lbs
Packed Weight	400 lbs

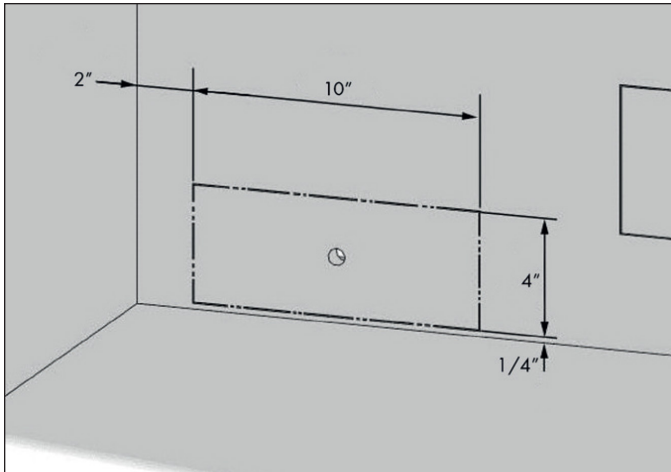
### STAINLESS STEEL DOOR PANELS WITH HANDLE SET FOR XRF3619BFP (DKXRF3619BFP-SS)

Fridge Door Dimensions (WxDxH) (X2)	17 11/16" x 3/4" x 51 1/16"
Weight (X2)	21.8 lbs
Freezer Door Dimensions (WxDxH)	35 3/4" x 3/4" x 28 11/16"
Weight	23.8 lbs

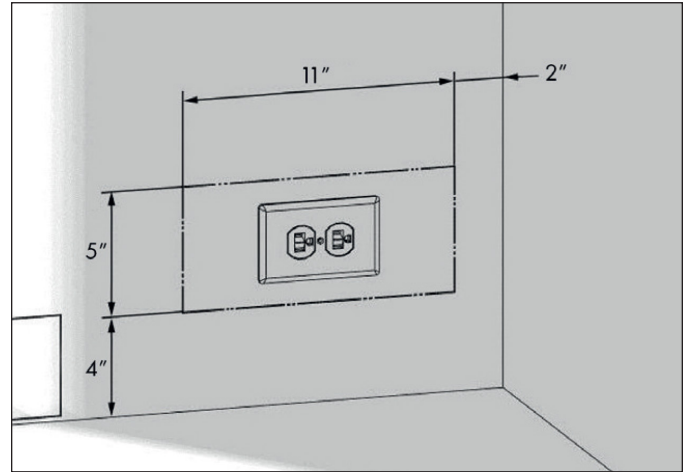


Replacement Water Filter: WFX200BM

### Plumbing



### Electrical



### Water pressure

- The water pressure of the cold water supply must be between 25-80 psi (1.7-5.5 Bar)
- If the water pressure exceeds 80 psi (5.5 Bar), install a pressure limiting device or water impact protector to the water inlet valve
- Do not install or operate the appliance if the water pressure exceeds 120 psi (8.3 Bar)
- If there are issues with the water pressure, contact a qualified plumber.