

XRF3619BFP X SERIES 36INCH BUILT IN FRENCH DOOR REFRIGERATOR

# COOK LIKE A GOD

**THOR**  
K I T C H E N<sup>®</sup>

**USE & CARE MANUAL**

USE & CARE MANUAL

# X SERIES 36 INCH BUILT IN FRENCH DOOR REFRIGERATOR

XRF3619BFP

**THOR**  
K I T C H E N<sup>®</sup>

## Please read this manual before using the product!

Dear Valued Customer,

We want you to get the best results from your product that has been manufactured meticulously at modern plants and tested with detailed quality control checks.

For this reason, we recommend that you read this user manual thoroughly before using the product.

If you hand over the product to someone else, please remember to include the user manual as well.

### This manual will help you use your product in a fast and safe way.

- Please read this user manual carefully before installing and using the product.
- Always follow the applicable safety instructions.
- Keep the user manual in an easily accessible place for further use.
- Please read all the other documents provided with the product.

Please keep in mind that this manual may apply to several product models. This manual expressly indicates the differences between various models.

**A**

Risk of injury and property damage

**B**

Risk of electric shock

**C**

Important information and useful hints



The packaging materials for this product have been manufactured from recyclable materials in accordance with national environmental regulations.

# TABLE OF CONTENTS

<b>1. IMPORTANT SAFETY AND ENVIRONMENTAL INSTRUCTIONS</b>	5
1.1 General safety	5
1.2 Intended use	7
1.3 Child safety	7
1.4 Compliance with the WEEE Directive and disposing of waste equipment:	7
1.5 Compliance with the RoHS Directive:	8
1.6 Packaging information	8
1.7 Hydrocarbon (HC) warning	8
1.8 For products with a water dispenser / ice machine	9
<b>2. REFRIGERATOR COMPONENT LIST</b>	10
<b>3. DISPLAY PANEL SETUP INSTRUCTIONS</b>	11
3.1 On/Off button	11
3.2 Select function / child lock button	11
3.3 Refrigerator compartment temperature adjustment button	11
3.4 Special fridge compartment temperature adjustment button	12
3.5 Freezer compartment adjustment button	12
3.6 Holiday mode	12
3.7 Sabbath mode	12
3.8 Eco mode	12
3.9 Water dispenser (if applicable)	12
3.10 Ice maker (if applicable)	13
3.11 Water filter replacement (if applicable)	13
3.12 Celsius and Fahrenheit selection	13
<b>4. BEFORE USING THE REFRIGERATOR</b>	13
4.1 Things to do to save energy	13
4.2 Recommendations for the fresh food compartment	14
4.3 Initial use	14
<b>5. OPERATING THE PRODUCT</b>	15
5.1 Dual cooling system	15
5.2 Freezing fresh food	15
5.3 Recommendations for storing frozen food	16
5.4 Food storage	16
5.5 Operating temperature	16
5.6 Door bin	17
5.7 Glass shelves	17
5.8 Crisper compartment	18
5.9 Special fridge compartment	19
5.10 Freezer crisper	19
<b>6. CARE AND CLEANING</b>	20
6.1 Avoiding bad odors	20
6.2 Protecting the plastic surfaces	21
6.3 Cleaning the interior surfaces	21
6.4 Stainless steel exterior surfaces	21
<b>7. TROUBLESHOOTING</b>	22

# IMPORTANT SAFETY AND ENVIRONMENTAL INSTRUCTIONS

This chapter contains safety information that will help you avoid the risk of personal injury or property damage.

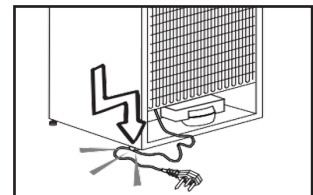
Failure to follow these instructions shall render any product warranty void.

## 1.1 General safety

- This product can be used by children aged 8 and above and people with limited physical, sensory, or mental capabilities and people who lack experience and information if they have been given instructions about the safe use of the product and are supervised and the risks have been eliminated.
- Children should not play with the product.
- Cleaning and care should not be performed by children unless they are supervised by an adult.
- Unplug the product if you experience a failure during use.
- If the product malfunctions, it must not be operated until repaired by the authorized service center.

### Risk of electric shock!

- Plug the product into a grounded socket protected by a fuse that corresponds to the value on its nameplate.
- Have a qualified electrician ground the product.



Our company cannot be held responsible for damages resulting from a failure to use the product with a grounded socket pursuant to local regulations.

- Unplug the product when not in use.
- Never wash the product by spreading or pouring water onto it!

### Risk of electric shock!

- Never touch the plug with wet hands!
- Never unplug the product by pulling the cable.
- Always pull the plug by holding the socket.
- Do not plug in the refrigerator if the wall socket is loose.
- Never connect your refrigerator to energy-saving devices.
- Such systems are harmful to your product.
- Unplug the product during installation, care, cleaning, and repairs.
- Always have the **authorized service center** install the product and establish its electrical connections.

The manufacturer cannot be held responsible for damages caused by procedures performed by unauthorized persons.

# IMPORTANT SAFETY AND ENVIRONMENTAL INSTRUCTIONS

- Do not eat ice cream or ice cubes immediately after you take them out of the freezer compartment!
  - This may cause frostbite in your mouth!
- Do not touch frozen food with wet hands! They may stick to your hand!
- Do not put bottled or canned liquid beverages in the freezer compartment.
  - They may burst!
- Never use steam or steam cleaners to clean or defrost the refrigerator. Steam gets into contact with the live parts in your refrigerator, causing a short circuit or electric shock!
- Do not use mechanical devices or other means to accelerate the defrosting process, other than those recommended by the manufacturer.
- Never use the parts in your refrigerator such as the door and drawer as a means of a support or step.
  - This may cause the product to tip over or damage its parts.
- Do not damage the parts where the refrigerant circulates with drilling or cutting tools.
  - The refrigerant that might blow out if the gas channels of the evaporator, pipe extensions, or surface coatings are punctured causes skin irritations and eye injuries.
- Do not cover or block the ventilation holes in your refrigerator with any object.
- Place high-proof beverages vertically with tightly closed caps.
- Do not use gaseous sprays near the product, as they pose a risk of fire or explosion!
- Flammable items or products that contain flammable gases (e.g. spray) as well as explosive materials should never be kept in the product.
- Do not place vessels filled with liquid on the product. Splashing water on an electrical part may cause electric shock or the risk of fire.
- Do not store items that need precise temperature adjustment (such as vaccines, heat-sensitive medication, science materials etc.) in the refrigerator.
- If you are not going to use the product for a long time, unplug it and remove the food in it.
- If there is a blue light on the refrigerator, do not look at it with optical tools.
- Exposing the product to rain, snow, sun, or wind poses an electrical safety hazard.
- In products with a mechanical control (thermostat), wait for 5 minutes to plug in the product again after unplugging.
- Do not overload the refrigerator. Objects in the refrigerator may fall when the door is opened, causing injury or damage.
  - Similar problems may arise if any object is placed on the product.

# IMPORTANT SAFETY AND ENVIRONMENTAL INSTRUCTIONS

- If the product has a door handle, do not pull the handle when relocating it.
  - The handle might be loose.
- Be careful not to jam your hand or any other body part in the moving parts of the refrigerator.
- Do not put your hand or any other foreign materials into the ice machine while it is operating.

## 1.2 Intended use

- This product has been designed for domestic use. It is not suitable for commercial use, and it must not be used outside of its intended use.
- It may only be used for storing food.
- The manufacturer will not assume any responsibility for damages resulting from improper use or transport.
- Original spare parts will be available for 10 years after the purchase date of the product.

## 1.3 Child safety

- If there is a lock on the door of the product, the key should be kept out of the reach of children.
- Do not let children play with the product.

**A**

**⚠ DANGER**

Before disposing of your old refrigerator or freezer:

- Children may get locked inside.
- Remove the doors.
- Leave the shelves to prevent children from getting inside the product easily.

## 1.4 Compliance with the WEEE Directive and disposing of waste equipment:

This product conforms to the EU WEEE Directive (2012/19 EU).

This product bears a classification symbol for waste electrical and electronic equipment (WEEE).

This product has been manufactured from high quality parts and materials which can be reused and are suitable for recycling.

Therefore, do not dispose of the product with normal domestic waste or other waste at the end of its service life.

Take it to a collection center for recycling electrical and electronic equipment.

Please consult local authorities to learn about the locations of such a collection center.



# IMPORTANT SAFETY AND ENVIRONMENTAL INSTRUCTIONS

## 1.5 Compliance with the RoHS Directive:

The product you have purchased conforms to the EU RoHS Directive (2011/65/AB).

It contains no harmful or prohibited materials specified in the directive.

## 1.6 Packaging information

- The packaging materials for this product have been manufactured from recyclable materials in accordance with national environmental regulations.
- Do not dispose of the packaging materials with normal domestic waste or other types of waste.
- Take these materials to a recycling point designated by local authorities.

### **⚠ DANGER**

Risk of fire or explosion:

**A**

- This product uses flammable refrigerant.
- Do not use mechanical devices to defrost the refrigerator.
- Do not use chemicals for cleaning.
- Do not pierce the refrigerant pipe.
- If the refrigerant pipe is pierced, it must be repaired only by licensed service personnel.
- Please consult the repair/user manual before cleaning the product.

All safety instructions must be followed.

- Dispose of the product according to federal or local regulations.

## 1.7 Hydrocarbon (HC) warning

- If your product's cooling system contains R600a:
  - This gas is flammable.
  - Therefore, pay attention not to damage the cooling system or the piping during use and transportation.
- If damaged, keep the product away from potential fire sources that may cause it to catch fire and ventilate the room where the product is placed.



## IMPORTANT SAFETY AND ENVIRONMENTAL INSTRUCTIONS

**C**

If the product is damaged and if you see gas leak, please keep away from the gas. It may cause frostbite when it comes into contact with the skin. (including R600a)

**C**

Ignore this warning if the cooling system of your product contains R134a.

**C**

The type of gas used in the product is stated on the nameplate, which is on the left wall inside the refrigerator.

**A**

**⚠ WARNING**

Never throw the product into fire for disposal.

### 1.8 For products with a water dispenser / ice machine

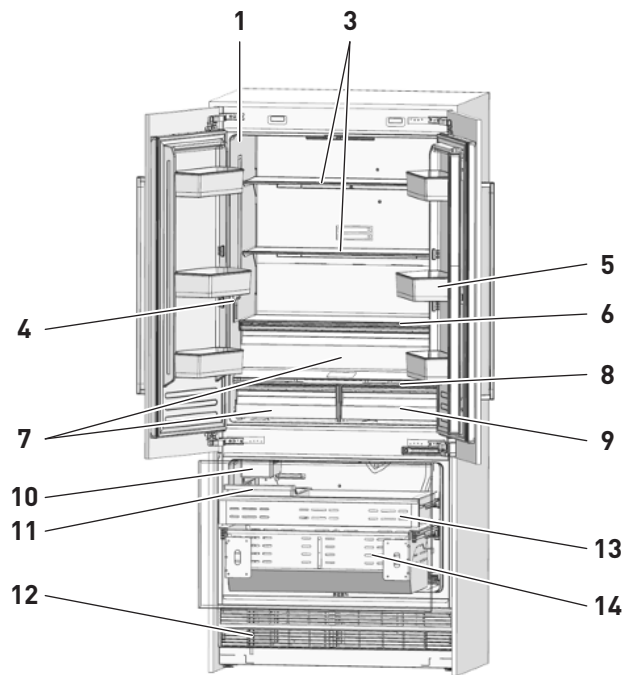
- The operating pressure for cold water inlet is between 1–5.5 bar.
  - If the water pressure exceeds 80 psi / 5.5 bar, install a pressure limiting valve in your supply system.
- If the supply pressure is lower than 1 bar, you can use an auxiliary pump to compensate the low pressure.
- If you do not know how to check the water pressure, please consult a professional plumber.
- If there is a risk of water hammer in your installation, always use a water hammer protection device in that installation.
- Please consult a professional plumber if you are not sure if there is water hammer in your installation.
- Do not make any installation on the hot water inlet.
- Take the necessary measures to avoid the risk of the hoses freezing.
- The water temperature operating range must be min. 33 °F / 0.6 °C and max. 100 °F / 38 °C.

**A**

**⚠ WARNING**

Never connect the product to a cold water supply with a pressure of 80 psi / 5.5 bar or higher.

## REFRIGERATOR COMPONENT LIST



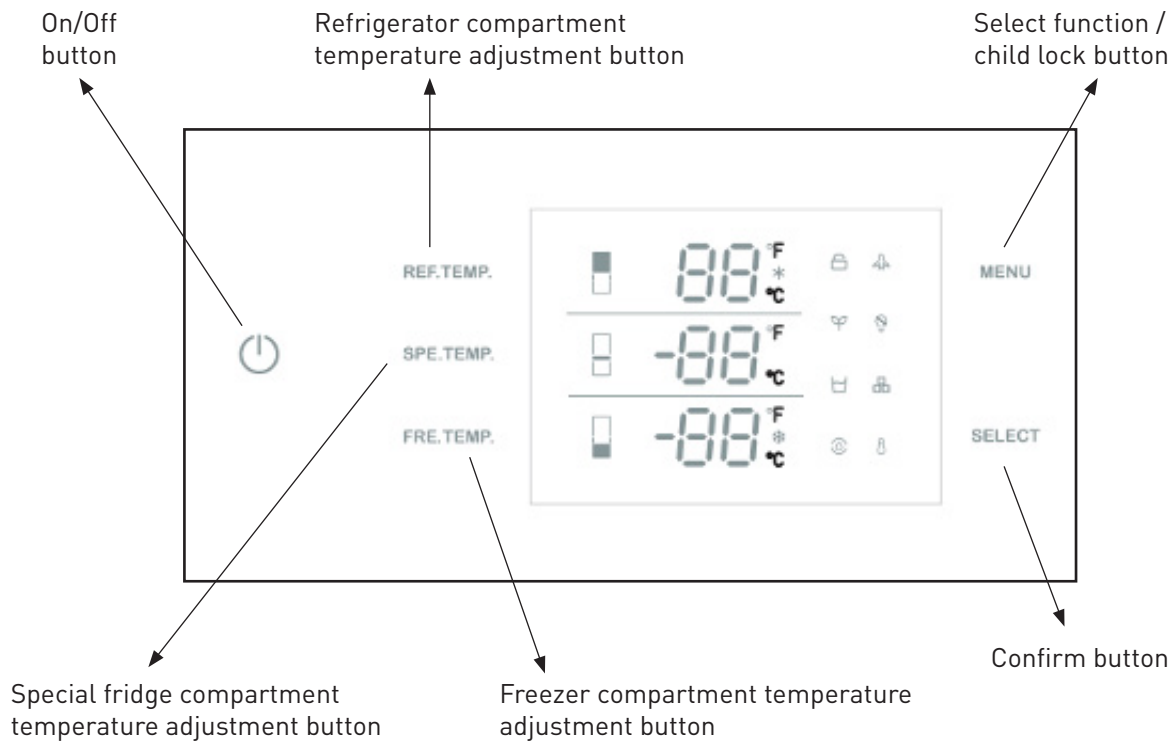
- |  |                                    |
|--|------------------------------------|
| 1. Water filter (if applicable)        | 8. Control display                 |
| 2. Door bin                            | 9. Special temperature compartment |
| 3. Body shelf (adjustable height)      | 10. Ice machine (if applicable)    |
| 4. Water dispenser                     | 11. Ice box (in high-spec models)  |
| 5. Gallon door bin (adjustable height) | 12. Condenser                      |
| 6. Odor filter                         | 13. Upper drawer                   |
| 7. Crisper                             | 14. Lower drawer                   |

**May not be present in all models.**

**C**

The figures in this user manual are schematic and may not match the product exactly. If your product does not have the corresponding parts, the information applies to other models.

# DISPLAY PANEL SETUP INSTRUCTIONS



May not be present in all models.

**C**

The figures in this user manual are schematic and may not match the product exactly. If your product does not have the corresponding parts, the information applies to other models.

## 3.1 On/Off button

Serves to switch the whole product on and off. Press the button to switch on the product; the product switches on in 5 seconds. Press the on/off button for 1.5 seconds to switch off the product.

## 3.2 Select function / child lock button

The child lock is a safety feature to prevent children from changing the product settings. Press the MENU button for 3 seconds to lock/unlock the control panel.

The lock symbol will light up on the display when this function is enabled.

## 3.3 Refrigerator compartment temperature adjustment button

Press the REF TEMP button to adjust the temperature between 36 °F / 2 °C and 46 °F / 8 °C.

The best temperature for the fresh food compartment is 39 °F / 4 °C.

# DISPLAY PANEL SETUP INSTRUCTIONS

## 3.4 Special fridge compartment temperature adjustment button

Press the SPE TEMP button to adjust the special fridge compartment temperature between 30 °F / -1 °C and 41 °F / 5 °C.

## 3.5 Freezer compartment adjustment button

Press the FRE TEMP button to adjust the freezer compartment temperature between 5 °F / -15 °C and -11 °F / -24 °C.

\* The super freezing function will be enabled if you press the button after -11 °F / -24 °C. When the snow symbol lights up on the display, the super freezer function is enabled.

**NOTE:** The defaulted temperature setting is 41 °F / 5 °C for the fridge compartment, 36 °F / 2 °C for the special fridge compartment, and 0 °F / -18 °C for the freezer compartment.

## 3.6 Holiday mode

Press the MENU button until the Holiday symbol lights up, then press the SELECT button to enable the function.

When Holiday mode is enabled, the fridge temperature is automatically set at 63 °F / 17 °C and the freezer temperature at 0 °F / -18 °C.

**NOTE:** Do not place food in the fresh food compartment when holiday mode is enabled.

## 3.7 Sabbath mode

Press the MENU button until the Sabbath mode symbol lights up, then press the SELECT button to enable the function.

When Sabbath mode is enabled, all lights, buzzers, and display panels are switched off.

## 3.8 Eco mode

Press the MENU button until the Eco mode lights up, then press the SELECT button to enable the function.

When Eco mode is enabled, the fridge temperature is automatically set at 46 °F / 8 °C and the freezer temperature at 5 °F / -15 °C.

## 3.9 Water dispenser (if applicable)

Press the MENU button until the water dispenser symbol lights up, then press the SELECT button to enable the function.

When the water dispenser is enabled, the dispenser fitted on the internal wall provides fresh water.

## DISPLAY PANEL SETUP INSTRUCTIONS

### 3.10 Ice maker (if applicable)

Press the MENU button until the ice maker symbol lights up, then press the SELECT button to enable the function.

When the ice maker is enabled, the ice maker operates automatically and ice cubes accumulate in the ice tray.

**NOTE:** Prepare the water filter for use before using the ice. After connecting the refrigerator to a water source or replacing the water filter, fill and discard two full containers of ice.

### 3.11 Water filter replacement (if applicable)

The water filter symbol flashes and beeps to advise you to replace the water filter.

When you are finished, press and hold the SELECT button for 5 seconds to reset.

The preset replacement time is 130 days.

### 3.12 Celsius and Fahrenheit selection

Press the MENU button until the Celsius and Fahrenheit selection symbol lights up to change between Celsius and Fahrenheit. Press the SELECT button to confirm.

## BEFORE USING THE REFRIGERATOR

### 4.1 Things to do to save energy

**A**

Connecting your refrigerator to energy-saving systems is dangerous, as they may cause damage to the product.

- Do not leave the doors of your refrigerator open for a long time.
- Do not put hot food or drinks in your refrigerator.
- Do not overload the refrigerator. Refrigeration performance will decrease if air circulation inside the refrigerator is obstructed.
- Do not place the refrigerator in direct sunlight.
- Install the product at least 30 cm away from heat sources such as hobs, ovens, heater units, and stoves and at least 5 cm away from electrical ovens.
- Store your food in closed containers in the refrigerator.
- You can remove the drawer shelf of the freezer compartment to fill the freezer compartment with the maximum amount of food.

## BEFORE USING THE REFRIGERATOR

- The stated energy consumption value of the refrigerator was determined with the freezer compartment shelf or drawer removed and the refrigerator filled with the maximum amount of food.
- Shelves and drawers can be used according to the shapes and sizes of food to be frozen.
- Thawing frozen food in the freezer compartment saves energy and preserves the quality of the food.

**C**

The temperature of the room where your refrigerator is located should be at least 50 °F / 10 °C. Operating your refrigerator in cooler conditions is not recommended for efficiency.

**C**

The inside of your refrigerator must be thoroughly cleaned.

**C**

If you want to install two refrigerators side by side, there should be at least 4 cm space between them.

### 4.2 Recommendations for the fresh food compartment

- Make sure the food does not touch the temperature sensor in the fresh food compartment.
- In order for the fresh food compartment to maintain its ideal storage temperature, the sensor must not be obstructed by food.
- Do not place hot foods or beverages inside the product.

### 4.3 Initial use

- Before using the product, make sure that all preparations have been made according to the instructions in the “Important safety and environmental instructions” and “Installation instructions” sections.
- Clean the interior of the refrigerator as recommended in the “Maintenance and cleaning” section.
- Before you start the refrigerator, make sure that the interior is dry.
- Plug the refrigerator in to a grounded socket. The interior illumination lights up when the door of the refrigerator is opened.
- Operate the refrigerator for 6 hours without placing any food in it, and do not open its door unless it is necessary.

## BEFORE USING THE REFRIGERATOR

**C**

You will hear a noise when the compressor starts up. The liquids and gases contained in the cooling system may also make noise even when the compressor is not running, which is normal.

**C**

The front of the refrigerator may feel warm. This is normal. These areas are designed to be warm to avoid condensation.

## OPERATING THE PRODUCT

### 5.1 Dual cooling system

- Your refrigerator is equipped with two separate refrigeration systems to refrigerate the fresh food compartment and freezer compartment.
- This ensures that the air and odors in the fresh food compartment and the frozen food compartment are not mixed.
- Thanks to this design, the refrigerating speed is much higher than that of other refrigerators.
- In addition, energy is saved because defrosting is done separately.

### 5.2 Freezing fresh food

- Wrap food or place it in a covered container before putting it in the refrigerator.
- Allow hot food and beverages to cool to room temperature before placing them in the refrigerator.
- Food that you want to freeze must be fresh and of good quality.
- Divide the food into portions according to your family's daily or meal-based consumption needs.
- Package food airtight to keep it from drying out, even if it is only going to be stored for a short time.
- Materials used for packaging must be resistant to tearing, cold, moisture, odors, oils and acids, and must be airtight.
- In addition, they must be well sealed and made of easy-to-handle materials suitable for freezers.
- Frozen food must be used immediately after thawing and should never be refrozen.
- Do not freeze too large quantities of food at once.
- The quality of the food is best preserved when it is frozen right through to the core as quickly as possible.
- Placing warm food in the freezer causes the cooling system to work continuously until the food is frozen solid.

# OPERATING THE PRODUCT

## 5.3 Recommendations for storing frozen food

- The frozen food you purchase must be stored under the conditions and at the temperatures specified by the food manufacturer.
- To ensure that the high quality achieved by the frozen food manufacturer and the food retailer is maintained, follow these guidelines:
  1. Place packages in the freezer as soon as possible after purchase.
  2. Make sure the contents of the package are labeled and dated.
  3. Check that the “Use by” or “Best before” date on the package has not expired.

## 5.4 Food storage

Freezer compartment shelves	Various frozen food such as meat, fish, ice cream, vegetables etc.
Egg tray	Eggs
Fridge compartment shelves	Food in pans, covered plates, and closed containers
Door shelves of fridge compartment	Small and packaged food or beverages (such as milk, fruit juice, beer, etc.)
Crisper	Vegetables and fruits
Special fridge compartment	Deli products (cheese, butter, salami, etc.)

## 5.5 Operating temperature

Freezer	Fridge	Notes
0 °F / -18 °C	39 °F / 4 °C	This is the recommended normal setting.
-4 °F / -20 °C	37 °F / 3 °C	These settings are recommended when the ambient temperature is above 86 °F / 30 °C.
Quick freeze	39 °F / 4 °C	Use when you wish to freeze the food in a short time. Your refrigerator will return to the previous mode when the process is over.
-11 °F / -24 °C	35 °F / 2 °C	Use these settings if you think that your fridge compartment is not cold enough because of hot ambient conditions or frequent opening and closing of the door.
0 °F / -18 °C or colder	Quick fridge	Use this function when you have too much food in the fridge compartment or when you need to refrigerate your food quickly. It is recommended that you activate the Quick fridge function 4-8 hours before storing food.

### Recommended operating temperature:

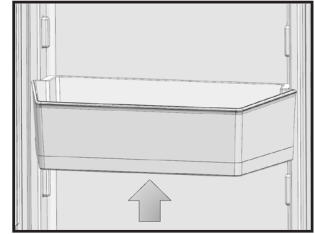
Fridge: 39 °F / 4 °C; Freezer: 0 °F / -18 °C



## OPERATING THE PRODUCT

### 5.6 Door bin

To remove, lift the door bin up and then pull out straight.



### 5.7 Glass shelves

#### To remove a shelf:

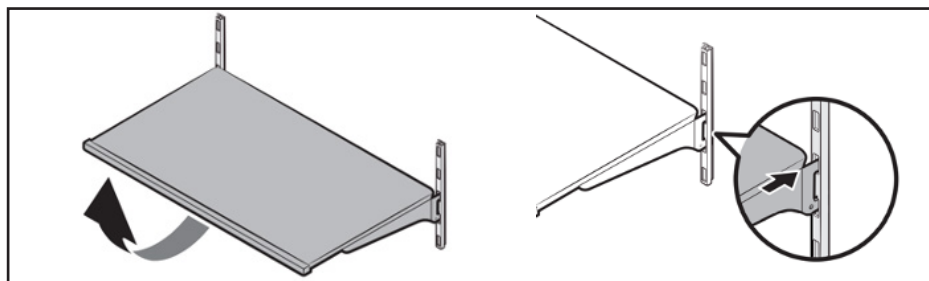
- Fully open the corresponding door.
- Hold the front of the shelf and then gently lift up and slide out.

#### To reinsert:

- Hold the shelf at an angle so the front is higher than the back and then insert the top hook into the top shelf notch.
- Put the front down slightly.

#### IMPORTANT NOTE:

Use care when handling glass shelves to prevent breakage or scratching the interior.



**A**

#### ⚠ ATTENTION

Glass shelves must be unloaded.

**A**

#### ⚠ ATTENTION

You must wait for the glass shelves to reach room temperature before immersing them in water for cleaning.

**A**

#### ⚠ ATTENTION

The door may not close if the door shelves are positioned at the same level as the glass shelves. Make sure that the door is closed after inserting the shelves.

## OPERATING THE PRODUCT

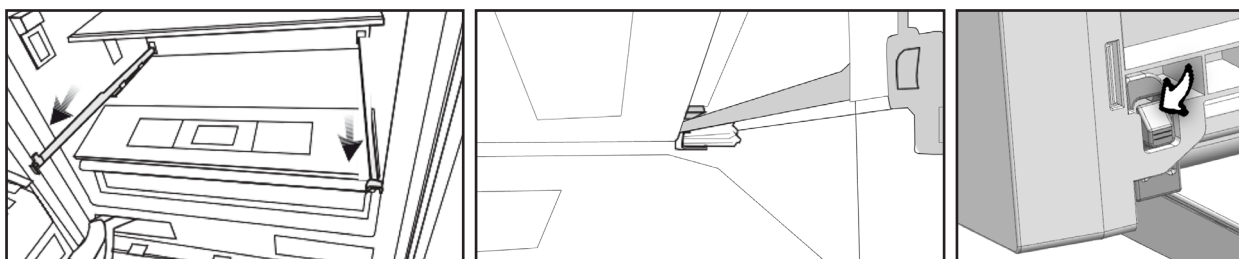
### 5.8 Crisper compartment

#### To remove the crisper:

- Pull the crisper until it stops.
- Slightly unclip the front section of the drawer and take it out completely.

#### To install the crisper:

- Pull the rails out all the way.
- Align the gap at the back corners of the crisper with the detail at the back corners of the rails.
- Push the crisper down slowly until you feel it clip front onto the rails.



**C**

Make sure that the details on the right and left sides are fixed.

**C**

Never leave vegetables in their plastic bags in the crisper. If vegetables are left in their plastic bags, they will rot in a short period of time.

- The crisper compartment preserves the humidity of your vegetables, allowing you to store them for a long time without having to keep them in their bags. If you do not want the vegetables to come into contact with other vegetables for hygienic reasons, you can use perforated paper, foam, or a similar material instead of plastic bags.
- When changing the vegetables, their specific weights should be taken into account.
- Heavy and hard vegetables should be placed at the bottom of the crisper, and light and soft vegetables on the top.
- Pears, kiwis, tomatoes, cucumbers, apricots, peaches, broccoli, lettuce, cabbage, parsley, and spinach are fruits and vegetables that emit ethylene gas.
- Do not put them in the same crisper as other fruits and vegetables.
- The ethylene gas emitted by these foods causes other fruits and vegetables to ripen faster and spoil more quickly.
- Do not remove the crisper body from the refrigerator unless necessary.

# OPERATING THE PRODUCT

## 5.9 Special fridge compartment

You can control the temperature in this compartment to keep food such as fish, meat, vegetables, and deli meats fresh for a long time.

**C**

The removal/installation procedure for the special refrigerator compartment is the same as for the crisper.

## 5.10 Freezer crisper

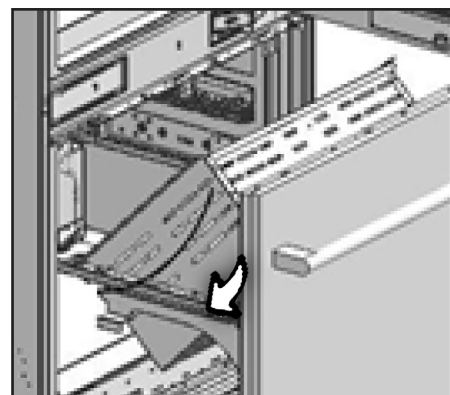
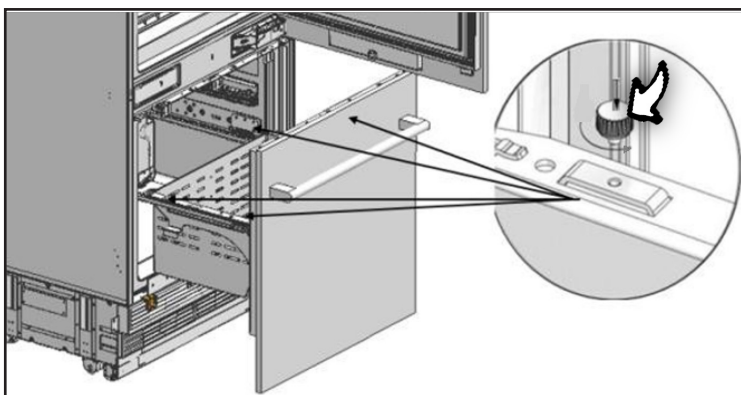
The freezer compartment stores your food at a temperature between -11 °F / -24 °C and 0 °F / -18 °C to keep it fresh for a long time.

### To remove the crisper:

- Open the freezer door until it stops.
- Unscrew the drawer fixing screw and take it out carefully.

### To install the crisper:

- Open the freezer door until it stops.
- Push the crisper down slowly and screw in the drawer fixing screw.



## CARE AND CLEANING

- Regular cleaning will extend the life of the product and reduce common problems.
- Never use gasoline, benzene, or similar substances for cleaning.
- Never use sharp abrasive tools, soap, household cleaners, detergents, or wax polish to clean the product.
- Dissolve one teaspoon of baking soda in one-half pint of water. Soak a cloth in the solution and wring thoroughly. Wipe the inside of the refrigerator with the cloth and dry thoroughly.
- Be careful not to allow water to enter the lamp housing or other electrical parts.
- For extended periods of disuse, unplug the refrigerator, remove all food inside, clean it, and leave the door ajar.
- Check regularly that the door gaskets are clean. If they are not clean, clean them.
- Remove all items from the product to remove the door and body shelves.
- Remove the door shelves by pulling them up. Slide the shelves down to reinstall them after cleaning.
- Never use chlorine-based cleaners or water to clean the exterior or chrome-plated parts of the product. Chlorine causes abrasion on metal surfaces.

### 6.1 Avoiding bad odors

- No odor-causing materials are used in the manufacture of our refrigerators. However, odors may be emitted if food is stored improperly or if the interior surface of the product is not cleaned as required. Please consider the following to avoid this problem:
  - It is important to keep the refrigerator clean.
  - Food residue, stains, etc. can cause odors.
  - For this reason, clean your refrigerator every 15 days with baking soda dissolved in water.
  - Never use detergent or soap.
  - Keep your foods in closed containers. Microorganisms released from uncovered containers can cause unpleasant odors.
  - Never store expired or spoiled food in your refrigerator.

## CARE AND CLEANING

### 6.2 Protecting the plastic surfaces

- Do not place liquid oils or oil-cooked foods in your refrigerator in unsealed containers as they will damage the plastic surfaces of your refrigerator.
- If oil is spilled or smeared on the plastic surfaces, clean and rinse the area immediately with warm water.

**B**

**⚠ WARNING** Switch off the product before cleaning.

**B**

**⚠ WARNING** It is recommended to clean the condenser with gloves every six months. Do not use a vacuum cleaner.

### 6.3 Cleaning the interior surfaces

- To clean the interior surfaces and all removable parts, wash them with a mild solution of soap, water, and baking soda.
- Rinse and dry thoroughly.
- Do not allow the water to come into contact with the light source or control panel.

### 6.4 Stainless steel exterior surfaces

- Use a non-abrasive stainless steel cleaner and apply with a lint-free, soft cloth.
- To polish, gently wipe the surface with a damp microfiber cloth and use a dry wash leather.
- Always follow the grain of the stainless steel.

**A**

**⚠ ATTENTION**

Do not use vinegar, rubbing alcohol, or other alcohol-based cleaners on the interior surfaces.

# TROUBLESHOOTING

Please review this list before calling for service.

This will save you time and money.

This list includes common problems that are not the result of faulty workmanship or materials.

Your product may not have some of the features described here.

## **The refrigerator is not working.**

- It may not be plugged in properly.
  - >>> Plug in the product properly.
- The fuse for the socket where your refrigerator is plugged in or the main fuse may have blown.
  - >>> Check the fuse.

## **There is condensation on the fridge compartment.**

- The door may have been opened/closed frequently.
  - >>> Do not open/close the refrigerator door frequently.
- The environment may be too humid.
  - >>> Do not install the refrigerator at locations with a very high level of humidity.
- Food containing liquid may have been placed in the refrigerator in uncovered containers.
  - >>> Do not place food containing liquid in unsealed containers in the refrigerator.
- The door of the refrigerator may have been left ajar.
  - >>> Do not keep the door of your refrigerator open for a long time.

## **The compressor is not working.**

- Sudden power failure or unplugging may cause the compressor's safety thermostat to blow because the refrigerant pressure in the cooling system has not yet equalized.
- The refrigerator will start running after approximately 6 minutes.  
Please call the authorized service center if the refrigerator does not start after this period has elapsed.
- The freezer is in a defrosting cycle.
  - >>> This is normal for a refrigerator with a fully automatic defrost function.

### **Defrosting cycle is performed periodically.**

- The refrigerator may not be plugged in.
  - >>> Make sure that the plug fits the socket.
- The temperature settings may be incorrect.
  - >>> Select the correct temperature value.
- Possible power failure.
  - >>> The refrigerator will start to operate normally when power restores.

### **The operating noise gets louder when the refrigerator is running.**

- The refrigerator's operating performance may vary depending on ambient temperature changes.
  - >>> This is normal and not a fault.

### **There is vibration or noise.**

- The floor may not be stable or level.
  - >>> If the refrigerator shakes when moved, slightly adjust the feet to balance it.  
Make sure the floor is level and can support the refrigerator.
- Objects placed on the refrigerator may cause noise.
  - >>> Remove any objects from the refrigerator.

### **There are noises coming from the refrigerator such as liquid spilling or spraying.**

- Due to the way the refrigerator works, liquids and gases flow inside it.
  - >>> This is normal and not a fault.

### **The refrigerator is emitting a whistling sound.**

- There are fans that are used to cool the refrigerator.
  - >>> This is normal and not a fault.

# TROUBLESHOOTING

## **Moisture accumulates on the inside walls of the refrigerator.**

- Hot and humid weather increases icing and condensation.  
>>> This is normal and not a fault.
- The door may have been opened frequently or left ajar for a long time.  
>>> Do not open the door frequently. Close the door if it is open.
- The door may have been left ajar.  
>>> Close the door completely.

## **Moisture accumulates on the outside of the refrigerator or between the doors.**

- The air might be humid. This is normal in humid weather.  
>>> Condensation will disappear as the humidity decreases.
- If you use your product infrequently, there may be external condensation in the area between the two refrigerator doors.  
>>> This is normal. The condensation will disappear with frequent use.

## **There is an unpleasant odor inside the refrigerator.**

- The refrigerator may not have been cleaned regularly.  
>>> Clean the inside of the refrigerator with a sponge and lukewarm water or water with baking soda.
- Some containers or packaging materials may be causing the odor.  
>>> Use another container or packaging materials from another brand.
- Food may have been placed in the refrigerator in uncovered containers.  
>>> Store food in covered containers.
- Microorganisms released from uncovered containers can cause unpleasant odors.  
>>> Take out expired or spoiled food from your refrigerator.



## TROUBLESHOOTING

### The door does not close.

- Food packaging may be preventing the door from closing.
  - >>> Relocate any packaging obstructing the door.
- The refrigerator may be unstable on the floor.
  - >>> Adjust the refrigerator feet as required to balance the refrigerator.
- The floor may not be level or solid.
  - >>> Make sure the floor is level and can support the refrigerator.

### The crispers are stuck.

- Food may be touching the upper wall of the crisper.
  - >>> Rearrange the food in the crisper.

**A**

**⚠ WARNING**

If the problem persists after following the instructions in this section, contact your dealer or the authorized service center.

Never attempt to repair a malfunctioning product.

## **Veillez lire attentivement le présent manuel avant toute utilisation de ce produit!**

Cher client,

Nous souhaitons que vous obteniez les meilleurs résultats possibles de votre produit, qui a été fabriqué méticuleusement dans des usines modernes et fait l'objet d'essais au moyen de contrôles de qualité détaillés.

C'est pour cette que nous vous recommandons de lire attentivement le présent manuel d'utilisation avant toute utilisation du produit.

Si vous cédez le produit à quelqu'un d'autre, n'oubliez pas de lui remettre le manuel d'utilisation également.

### **Ce manuel vous aidera à utiliser votre produit rapidement et en toute sécurité.**

- Veillez lire attentivement ce manuel avant d'installer et d'utiliser ce produit.
- Respectez toujours les consignes de sécurité qui s'y appliquent.
- Veillez conserver le manuel d'utilisation dans un endroit facilement accessible afin de pouvoir l'utiliser ultérieurement.
- Veillez lire l'intégralité des autres documents livrés avec le produit.

Veillez garder en tête que ce manuel peut s'appliquer à plusieurs modèles du produit. Ce manuel indique expressément les différences entre les divers modèles.

**A**

Risques de blessures et de dommages matériels

**B**

Risques d'électrocution

**C**

Consignes importantes et conseils utiles



Les matériaux d'emballage de ce produit ont été fabriqués à partir de matériaux recyclables conformément aux réglementations nationales sur l'environnement.

# TABLE DES MATIÈRES

<b>1. CONSIGNES IMPORTANTES CONCERNANT LA SÉCURITÉ ET L'ENVIRONNEMENT</b> .....	28
1.1 Sécurité générale .....	28
1.2 Utilisation prévue .....	30
1.3 Sécurité des enfants .....	30
1.4 Conformité avec la Directive DEEE et Élimination d'équipements usagés : .....	31
1.5 Conformité avec la Directive RoHS : .....	31
1.6 Informations sur l'emballage .....	31
1.7 Avertissement relatif aux hydrocarbures (HC) .....	32
1.8 Pour les produits équipés d'un distributeur d'eau ou d'une machine à glace .....	33
<b>2. LISTE DES COMPOSANTS DU RÉFRIGÉRATEUR</b> .....	34
<b>3. INSTRUCTIONS DE CONFIGURATION DU PANNEAU DE VISUALISATION</b> .....	35
3.1 Bouton Marche/Arrêt .....	35
3.2 Bouton Sélection des fonctions / verrouillage de sécurité pour enfants .....	35
3.3 Bouton de réglage de la température du compartiment réfrigérateur .....	36
3.4 Bouton de réglage de la température du compartiment spécial du réfrigérateur .....	36
3.5 Bouton de réglage de la température du compartiment de congélation .....	36
3.6 Mode Vacances .....	36
3.7 Mode Sabbat .....	36
3.8 Mode Éco .....	36
3.9 Distributeur d'eau (le cas échéant) .....	37
3.10 Machine à glaçons (le cas échéant) .....	37
3.11 Remplacement du filtre à eau (le cas échéant) .....	37
3.12 Sélection des degrés Celsius et Fahrenheit .....	37
<b>4. AVANT TOUTE UTILISATION DU RÉFRIGÉRATEUR</b> .....	37
4.1 Choses à faire pour économiser l'énergie .....	37
4.2 Recommandations concernant le compartiment de denrées alimentaires fraîches .....	38
4.3 Première utilisation .....	38
<b>5. UTILISATION DU PRODUIT</b> .....	39
5.1 Double système de réfrigération .....	39
5.2 Congélation des aliments frais .....	39
5.3 Recommandations relatives à l'entreposage d'aliments congelés .....	40
5.4 Stockage des aliments .....	40
5.5 Température de fonctionnement .....	41
5.6 Bac de porte de réfrigérateur .....	41
5.7 Clayettes en verre .....	41
5.8 Compartiment à légumes .....	42
5.9 Compartiment spécial du réfrigérateur .....	43
5.10 Bac à légumes du congélateur .....	44
<b>6. ENTRETIEN ET NETTOYAGE</b> .....	45
6.1 Prévention des mauvaises odeurs .....	45
6.2 Protection des surfaces en plastique .....	46
6.3 Nettoyage des surfaces intérieures .....	46
6.4 Surfaces extérieures en acier inoxydable .....	46
<b>7. DÉPANNAGE</b> .....	47

# CONSIGNES IMPORTANTES CONCERNANT LA SÉCURITÉ ET L'ENVIRONNEMENT

Ce chapitre contient des consignes de sécurité qui vous aideront à prévenir tous risques de blessures corporelles ou de dommages matériels.

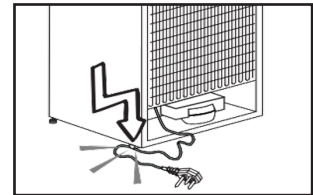
Le non-respect de ces consignes entraîne l'annulation de la garantie couvrant le produit.

## 1.1 Sécurité générale

- Ce produit peut être utilisé par des enfants âgés de 8 ans et plus et par des personnes dont les capacités physiques, sensorielles ou mentales sont limitées, ainsi que par des personnes manquant d'expérience et d'informations, à condition qu'elles aient reçu des instructions concernant l'utilisation en toute sécurité du produit, qu'elles soient surveillées et que tous risques aient été éliminés.
- Les enfants ne doivent pas jouer avec ce produit.
- Le nettoyage et l'entretien ne doivent pas être effectués par des enfants à moins qu'ils soient sous la surveillance d'un adulte.
- Débranchez le produit si vous rencontrez une panne en cours d'utilisation.
- En cas de dysfonctionnement, le produit ne doit pas être utilisé tant qu'il n'a pas été réparé par un centre de service agréé.

### Risques d'électrocution!

- Branchez le produit à une prise de courant de type prise de terre, protégée par un fusible dont la valeur correspond à celle indiquée sur la plaque signalétique.
- Demandez à un électricien qualifié de mettre le produit à la terre.



Notre entreprise ne peut être tenue responsable des dommages résultant du fait de ne pas utiliser le produit avec une prise de courant de type prise de terre conformément aux réglementations locales.

- Débranchez le produit lorsque vous ne l'utilisez pas.
- Ne jamais laver le produit en répandant ou en versant de l'eau dessus!

### Risques d'électrocution!

- Ne jamais toucher la fiche avec les mains mouillées!
- Ne jamais débrancher le produit en tirant sur le câble.
- Tirez toujours la fiche en tenant la prise de courant.
- Ne pas brancher le réfrigérateur si la prise de courant est desserrée.
- Ne jamais brancher votre réfrigérateur sur des dispositifs permettant d'économiser l'énergie.
- Ces systèmes sont nuisibles à votre produit.

# CONSIGNES IMPORTANTES CONCERNANT LA SÉCURITÉ ET L'ENVIRONNEMENT

- Débranchez le produit pendant les procédures d'installation, d'entretien, de nettoyage et de réparation.
- Confiez toujours à un **centre de service agréé** l'installation du produit et l'établissement de ses raccordements électriques.

Le fabricant ne peut être tenu responsable des dommages causés par des procédures effectuées par des personnes non autorisées.

- Ne pas consommer des cornets de crème glacée ou des glaçons immédiatement après les avoir sortis du compartiment de congélation!
  - Cela risque de causer des engelures dans la bouche!
- Ne pas toucher les aliments congelés avec les mains mouillées! Ils risquent de vous coller à la main!
- Ne pas placer de boissons liquides en bouteilles ou en canettes dans le compartiment de congélation.
  - Elles risquent d'exploser!
- Ne jamais utiliser de la vapeur ou un nettoyeur à vapeur pour nettoyer ou dégivrer le réfrigérateur. La vapeur entre en contact avec les pièces sous tension de votre réfrigérateur et peut provoquer un court-circuit ou entraîner des risques d'électrocution!
- Ne pas utiliser de dispositifs mécaniques ni aucun autre moyen afin d'accélérer le processus de dégivrage autres que ceux recommandés par le fabricant.
- Ne jamais utiliser les pièces de votre réfrigérateur, notamment la porte et le tiroir, en guise de support ou de marche.
  - Cela pourrait faire basculer le produit ou endommager les pièces qui le composent.
- Ne pas endommager les pièces par lesquelles circule le réfrigérant au moyen d'outils de forage ou de coupe.
  - Le réfrigérant qui risque de s'échapper lorsque les canalisations de gaz de l'évaporateur, les rallonges de tuyau ou les revêtements de surface sont percés, provoque des irritations de la peau et des blessures aux yeux.
- Ne pas couvrir ni obstruer les orifices d'aération de votre réfrigérateur avec un objet quelconque.
- Placez les boissons alcoolisées à la verticale les bouchons étant hermétiquement fermés.
- Ne pas utiliser de pulvérisateur gazeux à proximité du produit, car cela présente des risques d'incendie ou d'explosion!
- Les objets inflammables ou les produits contenant des gaz inflammables (p. ex., les pulvérisateurs) ainsi que les matériaux explosifs ne doivent jamais être conservés dans le produit.
- Ne pas poser de récipients remplis de liquide sur le produit. Les éclaboussures d'eau sur une pièce électrique peuvent entraîner des risques d'électrocution ou d'incendie.

# CONSIGNES IMPORTANTES CONCERNANT LA SÉCURITÉ ET L'ENVIRONNEMENT

- Ne pas conserver d'objets nécessitant un réglage précis de la température (notamment des vaccins, des médicaments sensibles à la chaleur, des matériaux scientifiques, etc.) dans le réfrigérateur.
- Si vous ne comptez pas utiliser le produit pendant une longue période, débranchez-le, puis retirez-en les aliments qu'il contient.
- Si le réfrigérateur est équipé d'une lumière bleue, ne pas regarder ladite lumière à l'aide d'outils optiques.
- L'exposition du produit à la pluie, à la neige, au soleil ou au vent présente des risques en termes de sécurité électrique.
- Pour ce qui concerne les produits à commande mécanique (thermostat), patientez 5 minutes avant de rebrancher le produit après débranchement.
- Ne pas surcharger le réfrigérateur. Les objets placés dans le réfrigérateur peuvent tomber lors de l'ouverture de la porte et provoquer des blessures ou des dommages.
  - Des problèmes similaires peuvent survenir si un objet est posé sur le produit.
- Si le produit est équipé d'une poignée de porte, ne pas tirer sur la poignée lorsque vous déplacez celui-ci à un autre endroit.
  - La poignée peut être desserrée.
- Veillez à ne pas coincer la main ou toute autre partie du corps dans les pièces mobiles du réfrigérateur.
- Ne pas mettre la main ou tout autre corps étranger dans la machine à glace en cours de fonctionnement.

## 1.2 Utilisation prévue

- Ce produit a été conçu pour un usage domestique. Il ne convient pas à un usage commercial et ne doit pas être utilisé en dehors de son utilisation prévue.
- Il peut être utilisé uniquement pour l'entreposage d'aliments.
- Le fabricant décline toute responsabilité pour tous les dommages résultant d'une utilisation ou d'un transport inappropriés.
- Les pièces de rechange d'origine seront disponibles pendant 10 ans après la date d'achat du produit.

## 1.3 Sécurité des enfants

- Si la porte du produit est munie d'une serrure, la clé doit être conservée hors de portée des enfants.
- Ne pas laisser les enfants jouer avec le produit.

# CONSIGNES IMPORTANTES CONCERNANT LA SÉCURITÉ ET L'ENVIRONNEMENT

## DANGER

# A

Avant de mettre au rebut votre réfrigérateur ou congélateur usagé :

- Les enfants risquent de s'y retrouver coincés.
- Retirez les portes.
- Laissez en place les clayettes afin d'empêcher les enfants d'entrer facilement dans le produit.

## 1.4 Conformité avec la Directive DEEE et Élimination d'équipements usagés :

Ce produit est conforme à la Directive DEEE de l'UE (2012/19 UE).

Ce produit porte un symbole de classification des déchets d'équipements électriques et électroniques (DEEE).

Ce produit a été fabriqué à partir de pièces et de matériaux de qualité supérieure qui peuvent être réutilisés et qui se prêtent au recyclage.

En conséquence, ne pas se débarrasser du produit en même temps que les ordures ménagères ou tous autres déchets à la fin de sa durée de vie.

Déposez-le dans un centre de collecte pour le recyclage des équipements électriques et électroniques. Veuillez consulter les autorités locales pour connaître les adresses de ces centres de collecte.



## 1.5 Conformité avec la Directive RoHS :

Le produit que vous avez acheté est conforme à la Directive RoHS de l'UE (2011/65/AB).

Il ne contient pas de matériaux nocifs ou interdits indiqués dans la Directive.

## 1.6 Informations sur l'emballage

- Les matériaux d'emballage de ce produit ont été fabriqués à partir de matériaux recyclables conformément aux réglementations nationales sur l'environnement.
- Ne pas se débarrasser des matériaux d'emballage en même temps que les ordures ménagères ou tous autres types de déchets.
- Rapportez ces matériaux à un centre de recyclage désigné par les autorités locales.

# CONSIGNES IMPORTANTES CONCERNANT LA SÉCURITÉ ET L'ENVIRONNEMENT

## **⚠ DANGER**

Risques d'incendie ou d'explosion :

**A**

- Ce produit consomme un réfrigérant inflammable.
- Ne pas utiliser de dispositifs mécaniques pour dégivrer le réfrigérateur.
- Ne pas utiliser de produits chimiques pour son nettoyage.
- Ne pas percer le tuyau de réfrigérant.
- En cas de perforation du tuyau de réfrigérant, celui-ci doit être réparé exclusivement par du personnel d'entretien autorisé.
- Veuillez consulter le manuel de réparation/ d'utilisation avant de nettoyer le produit.

Toutes les consignes de sécurité doivent être respectées.

- Éliminez le produit conformément aux réglementations fédérales ou locales.

## **1.7 Avertissement relatif aux hydrocarbures (HC)**

- Si le système de réfrigération de votre produit contient du R600a :
  - Ce gaz est inflammable.
  - Veillez donc à ne pas endommager le système de réfrigération ou la tuyauterie en cours d'utilisation ou de transport.
- S'il est endommagé, maintenez le produit à l'écart de toute source potentielle d'incendie, puis aérez la pièce où il est placé.



## CONSIGNES IMPORTANTES CONCERNANT LA SÉCURITÉ ET L'ENVIRONNEMENT

**C**

En cas d'endommagement du produit ou de constat de fuites de gaz, tenez-vous à l'écart du gaz. Il risque de causer des engelures lorsqu'il entre en contact avec la peau. (y compris le R600a)

**C**

Ne pas tenir compte de cet avertissement si le système de réfrigération de votre produit contient du R134a.

**C**

Le type de gaz utilisé dans le produit est indiqué sur la plaque signalétique qui se trouve sur la paroi gauche à l'intérieur du réfrigérateur.

**A**

**⚠ AVERTISSEMENT**

Ne jamais incinérer le produit.

### 1.8 Pour les produits équipés d'un distributeur d'eau ou d'une machine à glace

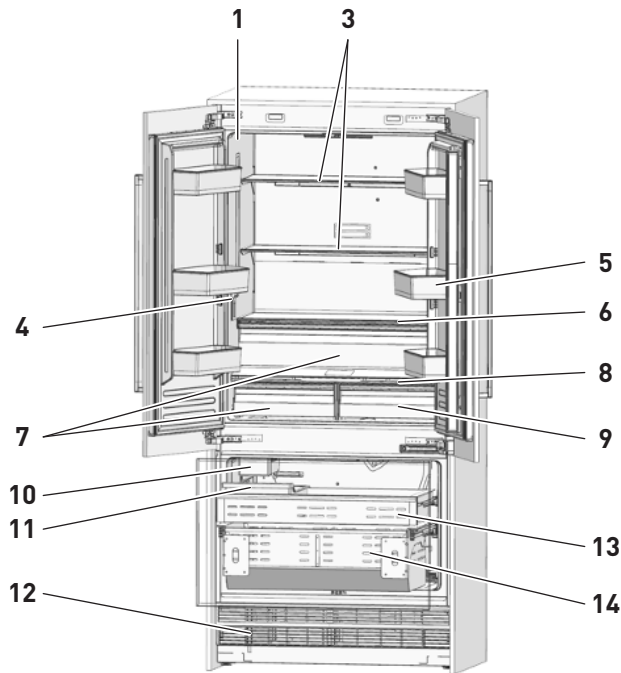
- La pression de fonctionnement pour l'arrivée d'eau froide est comprise entre 1 et 5,5 bars.
  - Si la pression de l'eau dépasse 80 psi / 5,5 bars, installez une valve de limitation de pression sur votre réseau d'eau.
- Si la pression du réseau d'eau est inférieure à 1 bar, vous pouvez utiliser une pompe auxiliaire pour compenser la faible pression.
- Si vous ne savez pas comment vérifier la pression de l'eau, veuillez consulter un plombier professionnel.
- Si votre installation présente une menace de coups de bélier, utilisez toujours un équipement de protection contre les coups de bélier dans cette installation.
- Veuillez consulter un plombier professionnel si vous n'êtes pas certain(e) de la présence d'un coup de bélier dans votre installation.
- Ne pas effectuer d'installation sur l'arrivée d'eau chaude.
- Prenez les mesures nécessaires afin de prévenir tout risque de gel des tuyaux.
- La plage de températures de fonctionnement de l'eau doit être comprise entre 33 °F / 0,6 °C au minimum et 100 °F / 38 °C au maximum.

**A**

**⚠ AVERTISSEMENT**

Ne jamais raccorder le produit à un réseau d'eau froide d'une pression de 80 psi / 5,5 bars et plus..

## LISTE DES COMPOSANTS DU RÉFRIGÉRATEUR



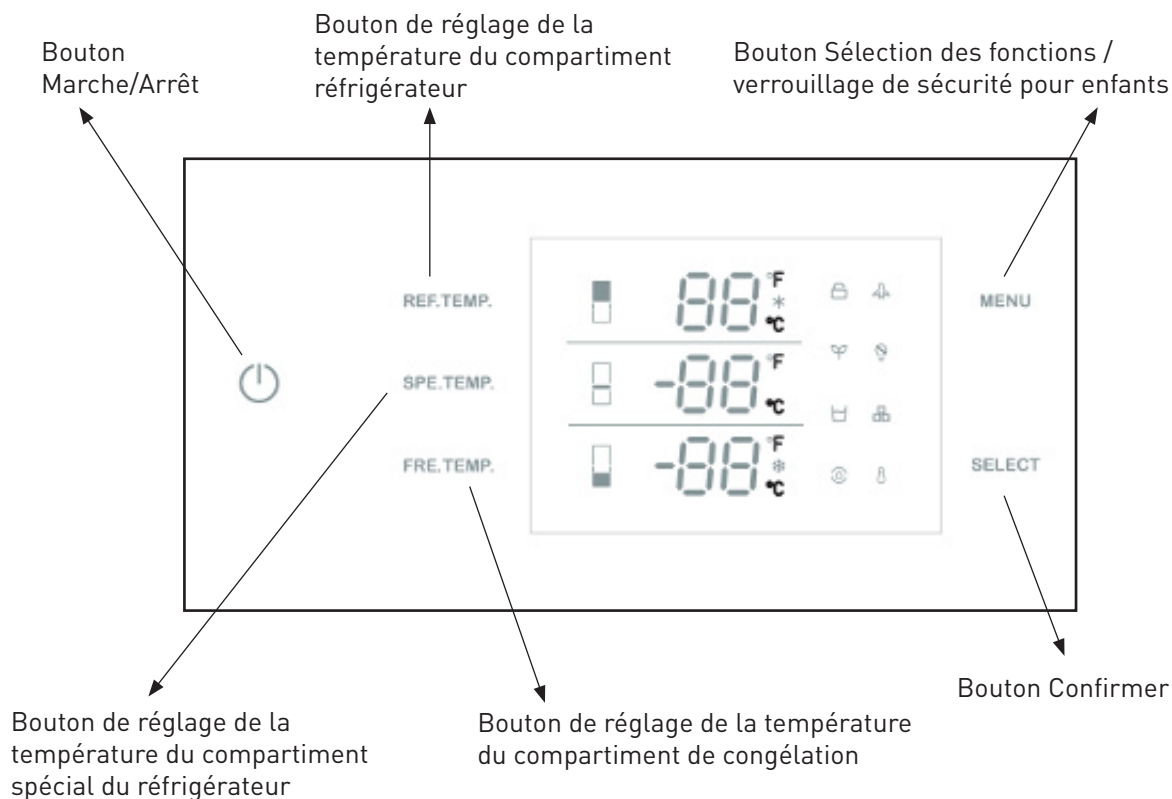
- |  |   |
|--|---|
| 1. Filtre à eau (le cas échéant)               | 8. Écran de contrôle                          |
| 2. Bac de porte de réfrigérateur               | 9. Compartiment à température spéciale        |
| 3. Étagère (hauteur réglable)                  | 10. Machine à glace (le cas échéant)          |
| 4. Distributeur d'eau                          | 11. Glacière (dans les modèles haut de gamme) |
| 5. Bac de porte d'un gallon (hauteur réglable) | 12. Condenseur                                |
| 6. Filtre anti-odeurs                          | 13. Tiroir supérieur                          |
| 7. Bac à légumes                               | 14. Tiroir inférieur                          |

**Peut ne pas être disponible dans tous les modèles.**

**C**

Les illustrations de ce manuel d'utilisation sont des représentations schématiques et peuvent ne pas correspondre exactement au produit. Si votre produit ne comporte pas les pièces correspondantes, les informations s'appliquent à d'autres modèles.

# INSTRUCTIONS DE CONFIGURATION DU PANNEAU DE VISUALISATION



Peut ne pas être disponible dans tous les modèles.

**C**

Les illustrations de ce manuel d'utilisation sont des représentations schématiques et peuvent ne pas correspondre exactement au produit. Si votre produit ne comporte pas les pièces correspondantes, les informations s'appliquent à d'autres modèles.

## 3.1 Bouton Marche/Arrêt

Permet de mettre sous/hors tension l'ensemble du produit. Appuyez sur le bouton pour mettre sous tension le produit. Celui-ci se met en marche au bout de 5 secondes. Appuyez sur le bouton Marche/Arrêt pendant 1,5 secondes pour mettre hors tension le produit.

## 3.2 Bouton Sélection des fonctions / verrouillage de sécurité pour enfants

Le verrouillage de sécurité pour enfants est une fonction qui permet d'empêcher les enfants de modifier les réglages du produit. Appuyez sur le bouton MENU pendant 3 secondes, pour verrouiller/déverrouiller le panneau de commande.

Le symbole de verrouillage s'allume sur l'écran lorsque cette fonction est activée.

# INSTRUCTIONS DE CONFIGURATION DU PANNEAU DE VISUALISATION

## 3.3 Bouton de réglage de la température du compartiment réfrigérateur

Appuyez sur le bouton REF TEMP pour régler la température de 36 °F / 2 °C à 46 °F / 8 °C.

Meilleure température pour le compartiment de denrées alimentaires fraîches : 39 °F / 4 °C.

## 3.4 Bouton de réglage de la température du compartiment spécial du réfrigérateur

Appuyez sur le bouton SPE TEMP pour modifier la température du compartiment spécial du réfrigérateur de 30 °F / -1 °C à 41 °F / 5 °C.

## 3.5 Bouton de réglage de la température du compartiment de congélation

Appuyez sur le bouton FRE TEMP pour modifier la température du compartiment de congélation de 5 °F / -15 °C à -11 °F / -24 °C.

\* La fonction Super congélation sera activée si vous appuyez sur le bouton au-delà -11 °F / -24 °C. Lorsque le symbole neige s'allume sur l'écran, la fonction Super congélation est activée.

**REMARQUE :** La température par défaut est de 41 °F / 5 °C pour le compartiment réfrigérateur, de 36 °F / 2 °C pour le compartiment spécial du réfrigérateur et de 0 °F / -18 °C pour le compartiment de congélation.

## 3.6 Mode Vacances

Appuyez sur le bouton MENU jusqu'à ce que le symbole de vacances s'allume, puis appuyez sur le bouton SELECT pour activer la fonction.

Lorsque la fonction Mode Vacances est activée, la température du réfrigérateur est réglée automatiquement sur 63 °F / 17 °C et celle du congélateur sur 0 °F / -18 °C.

**REMARQUE :** Ne pas placer d'aliments dans le compartiment de denrées alimentaires fraîches lorsque le mode Vacances est activé.

## 3.7 Mode Sabbat

Appuyez sur le bouton MENU jusqu'à ce que le symbole du mode Sabbat s'allume, puis appuyez sur le bouton SELECT pour activer la fonction.

Lorsque le mode Sabbat est activé, tous les voyants, vibreurs sonores et panneaux de visualisation s'éteignent.

## 3.8 Mode Éco

Appuyez sur le bouton MENU jusqu'à ce que le mode Éco s'allume, puis appuyez sur le bouton SELECT pour activer la fonction.

Lorsque le mode Éco est activé, la température du réfrigérateur est réglée automatiquement sur 46 °F / 8 °C et celle du congélateur sur 5 °F / -15 °C.

## INSTRUCTIONS DE CONFIGURATION DU PANNEAU DE VISUALISATION

### 3.9 Distributeur d'eau (le cas échéant)

Appuyez sur le bouton MENU jusqu'à ce que le symbole représentant le distributeur d'eau s'allume, puis appuyez sur le bouton SELECT pour activer la fonction.

Lorsque le distributeur d'eau est activé, le distributeur installé sur la paroi intérieure fournit de l'eau fraîche.

### 3.10 Machine à glaçons (le cas échéant)

Appuyez sur le bouton MENU jusqu'à ce que le symbole représentant la machine à glaçons s'allume, puis appuyez sur le bouton SELECT pour activer la fonction.

Lorsque la machine à glaçons est activée, elle fonctionne automatiquement et les glaçons s'accumulent dans le bac à glaçons.

**REMARQUE :** Préparez le filtre à eau avant d'utiliser la glace. Après raccordement du réfrigérateur à une source d'eau ou après remplacement du filtre à eau, remplissez, puis jetez deux récipients pleins de glace.

### 3.11 Remplacement du filtre à eau (le cas échéant)

Le symbole représentant le filtre à eau clignote et émet des signaux sonores pour indiquer à l'utilisateur qu'il doit remplacer le filtre à eau.

Lorsque vous avez terminé, appuyez sur le bouton SELECT et maintenez-le enfoncé pendant 5 secondes pour effectuer la réinitialisation.

Délai fixé pour le remplacement : 130 jours.

### 3.12 Sélection des degrés Celsius et Fahrenheit

Appuyez sur le bouton MENU jusqu'à ce que le symbole de sélection des degrés Celsius et Fahrenheit s'allume pour permettre de passer du degré Celsius au degré Fahrenheit. Appuyez ensuite sur le bouton SELECT pour confirmer votre choix.

## AVANT TOUTE UTILISATION DU RÉFRIGÉRATEUR

### 4.1 Choses à faire pour économiser l'énergie

**A**

Le raccordement de votre réfrigérateur à des systèmes d'économie d'énergie est dangereux, car ceux-ci risquent d'endommager le produit.

- Ne pas laisser les portes de votre réfrigérateur ouvertes pendant une longue période.

## AVANT TOUTE UTILISATION DU RÉFRIGÉRATEUR

- Ne pas mettre d'aliments ou boissons chauds dans votre réfrigérateur.
- Ne pas surcharger le réfrigérateur. Les performances de réfrigération diminuent si la circulation de l'air à l'intérieur du réfrigérateur est obstruée.
- Ne pas placer le réfrigérateur dans des endroits exposés aux rayons du soleil.
- Installez le produit à au moins 30 cm des sources de chaleur, notamment plaques de cuisson, fours, appareils de chauffage et cuisinières, et à au moins 5 cm des fours électriques.
- Conserver vos aliments dans le réfrigérateur dans des récipients fermés.
- Vous pouvez retirer la clayette du tiroir du compartiment de congélation afin de remplir le compartiment de congélation avec un maximum d'aliments.
- La valeur de consommation d'énergie du réfrigérateur a été déterminée lorsque la clayette ou le tiroir du compartiment de congélation a été retiré et que le réfrigérateur est rempli d'une quantité maximale d'aliments.
- Les clayettes et tiroirs peuvent être utilisés en fonction de la forme et de la taille des aliments à congeler.
- La décongélation des aliments congelés dans le compartiment de congélation permet d'économiser de l'énergie et de préserver la qualité des aliments.

**C**

La température de la pièce où se trouve votre réfrigérateur doit être d'au moins 50 °F / 10 °C. Nous vous déconseillons de faire fonctionner votre réfrigérateur dans des conditions plus froides pour des raisons d'efficacité.

**C**

L'intérieur de votre réfrigérateur doit être nettoyé à fond.

**C**

Si vous souhaitez installer deux réfrigérateurs côte à côte, il doit y avoir un espace d'au moins 4 cm entre eux.

### 4.2 Recommandations concernant le compartiment de denrées alimentaires fraîches

- Veillez à ce que les aliments n'entrent pas en contact avec le capteur de température du compartiment de denrées alimentaires fraîches.
- Pour que le compartiment de denrées alimentaires fraîches conserve sa température de conservation idéale, le capteur ne doit pas être entravé par des aliments.
- Ne pas placer d'aliments ou de boissons chauds à l'intérieur du produit.

### 4.3 Première utilisation

- Avant d'utiliser le produit, assurez-vous que toutes les préparations ont été effectuées conformément aux instructions données dans les chapitres « Consignes importantes concernant la sécurité et l'environnement » et « Instructions d'installation ».

## AVANT TOUTE UTILISATION DU RÉFRIGÉRATEUR

- Nettoyez l'intérieur du réfrigérateur ainsi que recommandé dans la section « Entretien et nettoyage ».
- Avant de mettre le réfrigérateur en marche, assurez-vous que l'intérieur est sec.
- Branchez le réfrigérateur à une prise de courant de type prise de terre. L'éclairage intérieur s'allume lorsque vous ouvrez la porte du réfrigérateur.
- Faites fonctionner le réfrigérateur pendant 6 heures sans y placer d'aliments et n'ouvrez sa porte qu'en cas de nécessité.

**C**

Vous entendrez un bruit lorsque le compresseur démarre. Les liquides et les gaz contenus dans le système de réfrigération peuvent également faire du bruit, même si le compresseur ne fonctionne pas. Il s'agit d'un phénomène normal.

**C**

L'avant du réfrigérateur peut être tièdes au toucher.

Il s'agit d'un phénomène normal.

Ces zones sont conçues pour être chaudes afin d'éviter la condensation.

## UTILISATION DU PRODUIT

### 5.1 Double système de réfrigération

- Votre réfrigérateur est équipé de deux systèmes de réfrigération distincts pour réfrigérer le compartiment de denrées alimentaires fraîches et le compartiment de congélation.
- Cela garantit que l'air et les odeurs du compartiment de denrées alimentaires fraîches et du compartiment des aliments congelés ne se mélangent pas.
- Grâce à cette conception, la vitesse de réfrigération est beaucoup plus élevée que celle des autres réfrigérateurs.
- En outre, l'énergie est économisée, car le dégivrage s'effectue de manière distincte.

### 5.2 Congélation des aliments frais

- Enveloppez les aliments ou placez-les dans un récipient couvert avant de les mettre au réfrigérateur.
- Laissez refroidir les aliments et les boissons chauds à la température ambiante avant de les mettre au réfrigérateur.
- Les aliments que vous souhaitez congeler doivent être frais et de bonne qualité.
- Scindez les aliments en portions en fonction des besoins de consommation quotidiens ou par repas de votre famille.
- Emballez les aliments de manière hermétique afin d'éviter qu'ils ne se dessèchent, même s'ils sont conservés pendant une courte période.

## UTILISATION DU PRODUIT

- Les matériaux utilisés pour l'emballage doivent être résistants à la déchirure, au froid, à l'humidité, aux odeurs, aux huiles et aux acides. En outre, ils doivent également être hermétiques.
- En outre, ils doivent être convenablement scellés et fabriqués à partir de matériaux faciles à utiliser et adaptés aux congélateurs.
- Les aliments congelés doivent être consommés immédiatement après décongélation et ne doivent jamais être recongelés.
- Ne pas congeler de trop grandes quantités d'aliments à la fois.
- La qualité des aliments est mieux préservée lorsqu'ils sont entièrement congelés le plus vite possible.
- La disposition d'aliments chauds dans le congélateur fait fonctionner le système de réfrigération en continu jusqu'à ce que les aliments soient bien congelés.

### 5.3 Recommandations relatives à l'entreposage d'aliments congelés

- Les aliments congelés que vous achetez doivent être conservés dans les conditions et à la température indiquées par le fabricant d'aliments.
- Pour vous assurer du maintien de la qualité élevée obtenue par le fabricant d'aliments congelés et le détaillant en alimentation, vous devez suivre les directives suivantes :
  1. Mettez les emballages dans le congélateur le plus rapidement possible après achat.
  2. Veillez à ce que le contenu de l'emballage soit étiqueté et daté.
  3. Vérifiez si la date indiquée dans la mention « À consommer avant le » ou « À consommer de préférence avant » figurant sur l'emballage est dépassée ou pas.

### 5.4 Stockage des aliments

Clayettes du compartiment de congélation	Divers aliments congelés, notamment viande, poissons, crème glacée, légumes, etc.
Bac à œufs	Œufs
Clayettes du compartiment réfrigérateur	Aliments dans des casseroles, des assiettes couvertes et des récipients fermés
Balconnets du compartiment réfrigérateur	Aliments ou boissons de petite taille et emballés (notamment lait, jus de fruits, bière, etc.)
Bac à légumes	Légumes et fruits
Compartiment spécial du réfrigérateur	Produits d'épicerie fine (fromage, beurre, salami, etc.)



# UTILISATION DU PRODUIT

## 5.5 Température de fonctionnement

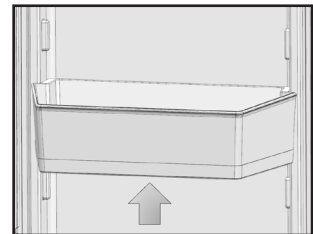
Congélateur	Réfrigérateur	Remarque
0 °F / -18 °C	39 °F / 4 °C	Il s'agit du réglage normal recommandé.
-4 °F / -20 °C	37 °F / 3 °C	Ces réglages sont recommandés lorsque la température ambiante est supérieure à 86 °F/30 °C.
Congélation rapide	39 °F / 4 °C	À utiliser lorsque vous souhaitez congeler vos aliments en peu de temps. Votre réfrigérateur revient au mode précédent au terme du processus.
-11 °F / -24 °C	35 °F / 2 °C	Utilisez ces réglages si vous pensez que le compartiment de votre réfrigérateur n'est pas assez froid en raison des conditions ambiantes chaudes ou de l'ouverture et de la fermeture fréquentes de la porte.
0 °F / -18 °C ou plus froid	Réfrigération rapide	Utilisez cette fonction lorsque vous mettez trop d'aliments dans le compartiment réfrigérateur ou lorsque vous devez les réfrigérer rapidement. Nous vous recommandons d'activer la fonction Réfrigération rapide 4 à 8 heures avant de stocker les aliments.

### Température de fonctionnement recommandée :

Réfrigérateur : 39 °F / 4 °C, Congélateur : 0 °F / -18 °C

## 5.6 Bac de porte de réfrigérateur

Pour le retirer, soulevez le bac de porte de réfrigérateur, puis tirez-le vers le haut en le maintenant bien droit.



## 5.7 Clayettes en verre

### Pour retirer une clayette :

- Ouvrez entièrement la porte correspondante.
- Tenez l'avant de la clayette, puis soulevez-la délicatement et faites-la coulisser pour la dégager.

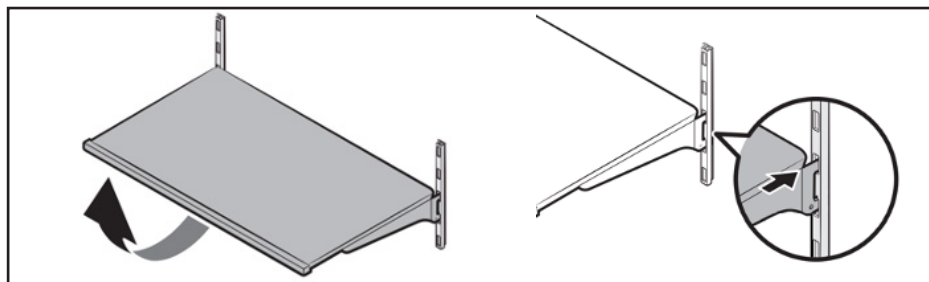
### Pour la remettre en place :

- Tenez la clayette en biais de manière à ce que l'avant soit plus haut que l'arrière, puis insérez le crochet supérieur dans l'encoche de la clayette supérieure.
- Abaissez légèrement l'avant de la clayette.

### REMARQUE IMPORTANTE :

Manipulez les clayettes en verre avec précaution afin d'éviter de les casser ou d'en rayer l'intérieur.

## UTILISATION DU PRODUIT



**A**

**⚠ ATTENTION**

Les clayettes en verre doivent être déchargées.

**A**

**⚠ ATTENTION**

Vous devez patienter jusqu'à ce que les clayettes en verre atteignent la température ambiante avant de les plonger dans de l'eau pour les nettoyer.

**A**

**⚠ ATTENTION**

La porte risque de ne pas se fermer si les balconnets sont placés au même niveau que les clayettes en verre. Assurez-vous que la porte est fermée après insertion des clayettes.

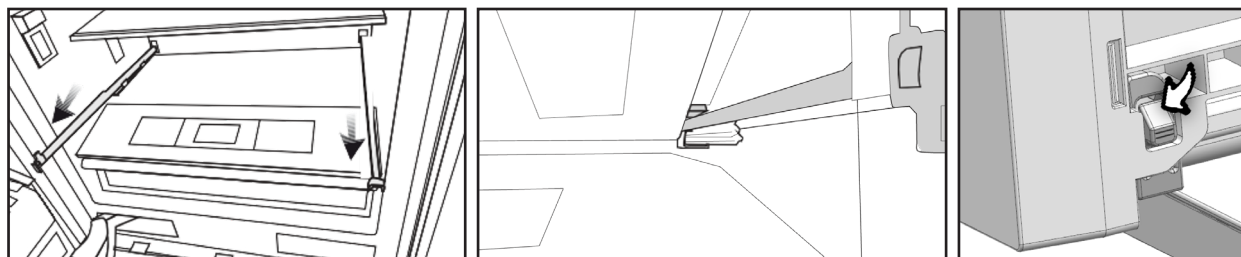
### 5.8 Compartiment à légumes

#### Pour retirer le bac à légumes :

- Tirez le bac à légumes jusqu'à ce qu'il s'arrête.
- Déclipez légèrement la partie avant du tiroir, puis sortez-le complètement.

#### Pour installer le bac à légumes :

- Tirez complètement les rails.
- Alignez l'espace situé aux coins arrière du bac à légumes sur l'élément situé aux coins arrière des rails.
- Appuyez lentement sur le bac à légumes jusqu'à ce que vous sentiez qu'il se fixe à l'avant sur les rails.



## UTILISATION DU PRODUIT

**C**

Assurez-vous que les éléments situés sur les côtés droit et gauche sont fixés.

**C**

Ne jamais laisser les légumes dans leurs sachets en plastique dans le bac à légumes. S'ils sont laissés dans leurs sachets en plastique, ils risquent de pourrir en peu de temps.

- Le compartiment à légumes préserve l'humidité de vos légumes et vous permet de les conserver longtemps sans devoir les garder dans leurs sachets. Si, pour des raisons d'hygiène, vous ne souhaitez pas que les légumes entrent en contact avec d'autres légumes, vous pouvez utiliser du papier perforé, de la mousse ou un matériau similaire à la place des sachets en plastique.
- Lors du remplacement des légumes, il convient de tenir compte de leurs poids spécifiques.
- Les légumes lourds et durs doivent être placés au fond du bac à légumes, tandis que les légumes légers et mous doivent être placés dans la partie supérieure.
- Les poires, kiwis, tomates, concombres, abricots, pêches, brocolis, laitues, choux, persil et épinards sont des fruits et légumes qui dégagent du gaz éthylène.
- Ne pas les placer dans le même bac à légumes que d'autres fruits et légumes.
- Le gaz éthylène dégagé par ces aliments fait mûrir les autres fruits et légumes plus tôt et les fait pourrir dans un laps de temps plus court.
- Ne pas retirer le corps du bac à légumes du réfrigérateur, sauf si cela est nécessaire.

### 5.9 Compartiment spécial du réfrigérateur

Vous pouvez contrôler la température dans ce compartiment afin de conserver vos aliments, notamment poissons, viande, légumes et produits d'épicerie fine pendant une longue période.

**C**

La procédure de retrait/d'installation du compartiment réfrigérateur spécial est la même que pour le bac à légumes.

## UTILISATION DU PRODUIT

### 5.10 Bac à légumes du congélateur

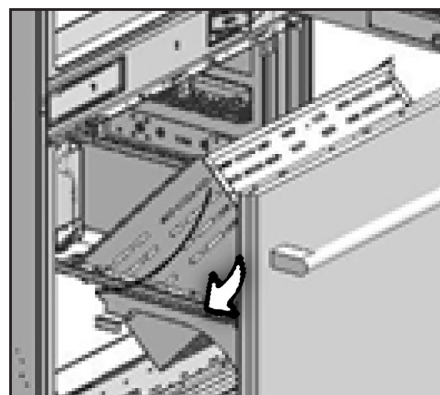
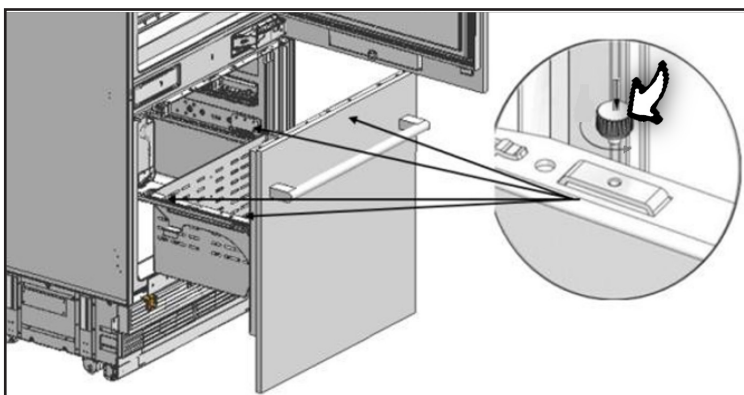
Le compartiment de congélation permet de conserver vos aliments à une température comprise entre  $-11\text{ °F} / -24\text{ °C}$  et  $0\text{ °F} / -18\text{ °C}$  pour qu'ils restent frais longtemps.

#### Pour retirer le bac à légumes :

- Ouvrez la porte du congélateur jusqu'à ce qu'elle s'arrête.
- Desserrez la vis de fixation du tiroir, puis retirez celui-ci avec précaution.

#### Pour installer le bac à légumes :

- Ouvrez la porte du congélateur jusqu'à ce qu'elle s'arrête.
- Abaissez lentement le bac à légumes, serrez la vis de fixation du tiroir.



## ENTRETIEN ET NETTOYAGE

- Un nettoyage régulier permet de prolonger la durée de vie du produit et de réduire les problèmes fréquemment rencontrés.
- Ne jamais utiliser d'essence, de benzène ou de substances similaires pour le nettoyage.
- Ne jamais utiliser d'instruments abrasifs tranchants, de savon, de produits d'entretien ménager, de détergent ou de cire à polir pour nettoyer le produit.
- Faites dissoudre une cuillère à café de bicarbonate de soude dans une demi-pinte d'eau. Trempez un chiffon dans la solution, puis essorez-le soigneusement. Essuyez l'intérieur du réfrigérateur avec ce chiffon, puis séchez-le soigneusement.
- Veillez à ce que l'eau ne pénètre pas dans le boîtier de la lampe ou dans d'autres pièces électriques.
- En cas de non-utilisation pendant une longue période, débranchez le réfrigérateur, retirez tous les aliments qu'il contient, nettoyez-le, puis laissez la porte entrouverte.
- Assurez-vous régulièrement que les joints de la porte sont propres. S'ils ne sont pas propres, nettoyez-les.
- Retirez tous les aliments du produit afin de retirer la porte et les étagères.
- Retirez les balconnets en les tirant vers le haut. Faites coulisser les clayettes vers le bas pour les réinstaller après nettoyage.
- Ne jamais utiliser d'agents de nettoyage au chlore ou de l'eau pour nettoyer les surfaces extérieures ou les pièces chromées du produit. Le chlore provoque l'abrasion de ces surfaces métalliques.

### 6.1 Prévention des mauvaises odeurs

- Aucun matériau susceptible de provoquer des odeurs n'est utilisé dans la fabrication de nos réfrigérateurs. Toutefois, des odeurs peuvent se dégager si les aliments sont stockés de manière incorrecte ou si la surface intérieure du produit n'est pas nettoyée comme il se doit. Pour éviter ce problème, veuillez tenir compte des points suivants :
- Il est important de maintenir le réfrigérateur propre.
- Les résidus d'aliments, les taches, etc. peuvent être à l'origine d'odeurs.
- Pour cette raison, nettoyez votre réfrigérateur tous les 15 jours avec du bicarbonate de soude dissout dans de l'eau.
- Ne jamais utiliser de détergents ou de savon.
- Conservez vos aliments dans des récipients fermés. Les microorganismes rejetés par les récipients dépourvus de couvercle peuvent être la cause d'odeurs désagréables.
- Ne jamais conserver d'aliments périmés ou avariés dans votre réfrigérateur.

## ENTRETIEN ET NETTOYAGE

### 6.2 Protection des surfaces en plastique

- Ne pas mettre d'huiles liquides ou de plats cuits à l'huile dans votre réfrigérateur dans des récipients non scellés, car ils risquent d'endommager les surfaces en plastique de votre réfrigérateur.
- Si de l'huile est renversée ou étalée sur les surfaces en plastique, nettoyez, puis rincez immédiatement la partie concernée de la surface à l'eau tiède.

**B**

**⚠ AVERTISSEMENT** Mettez hors tension le produit avant de le nettoyer.

**B**

**⚠ AVERTISSEMENT** Nous vous recommandons de nettoyer le condenseur tous les six mois en portant des gants.  
Ne pas utiliser un aspirateur.

### 6.3 Nettoyage des surfaces intérieures

- Pour nettoyer les surfaces intérieures et toutes les pièces amovibles, lavez-les avec une solution douce composée de savon, d'eau et de bicarbonate de soude.
- Rincez, puis séchez-les soigneusement.
- Ne pas laisser l'eau entrer en contact avec la source lumineuse ou le panneau de commande.

### 6.4 Surfaces extérieures en acier inoxydable

- Utilisez un produit de nettoyage pour acier inoxydable non abrasif, puis appliquez-le à l'aide d'un chiffon doux non pelucheux.
- Pour le polissage, essuyez en douceur la surface avec un chiffon en microfibres humide, puis utilisez une peau de chamois sèche.
- Suivez toujours les fils de l'acier inoxydable.

**A**

**⚠ ATTENTION**  
Ne pas utiliser de vinaigre, d'alcool à friction ni tous autres produits de nettoyage à base d'alcool sur les surfaces intérieures.

Veillez consulter cette liste avant d'appeler un centre de service.

Cela vous permet d'économiser du temps et de l'argent.

Cette liste contient les problèmes fréquemment rencontrés qui ne résultent pas d'un défaut de matériaux et de fabrication.

Il se peut que votre produit ne possède pas certaines des caractéristiques décrites ici.

## **Le réfrigérateur ne fonctionne pas.**

- Il n'est peut-être pas branché correctement.
  - >>> Branchez le produit correctement.
- Le fusible de la prise de courant à laquelle votre réfrigérateur est branché ou le fusible principal a peut-être sauté.
  - >>> Vérifiez l'état du fusible.

## **Condensation sur le compartiment réfrigérateur.**

- La porte a peut-être été ouverte/fermée fréquemment.
  - >>> Ne pas ouvrir/fermer la porte du réfrigérateur fréquemment.
- L'environnement est peut-être trop humide.
  - >>> Ne pas installer le réfrigérateur dans des endroits où le taux d'humidité est très élevé.
- Des aliments contenant des liquides ont peut-être été placés dans le réfrigérateur dans des récipients dépourvus de couvercle.
  - >>> Ne pas placer d'aliments contenant des liquides dans le réfrigérateur dans des récipients non scellés.
- La porte du réfrigérateur est peut-être restée entrouverte.
  - >>> Ne pas laisser les portes de votre réfrigérateur ouvertes pendant une longue période.

## **Le compresseur ne fonctionne pas.**

- Une panne d'électricité ou un débranchement soudain peut entraîner le déclenchement du thermostat de sécurité du compresseur, car la pression du fluide frigorigène dans le système de réfrigération n'est pas encore équilibrée.
- Le réfrigérateur se met en marche au bout de 6 minutes environ.  
Veillez faire appel au centre de service agréé si le réfrigérateur ne démarre pas à la fin de cette période.
- Le congélateur est en cours de dégivrage.
  - >>> Il s'agit d'un phénomène normal pour un réfrigérateur équipé d'une fonction de dégivrage automatique complet.

# DÉPANNAGE

## **Le cycle de dégivrage s'effectue périodiquement.**

- Le réfrigérateur n'est peut-être pas branché.  
>>> Assurez-vous que la fiche s'adapte à la prise de courant.
- Le réglage de la température est peut-être incorrect.  
>>> Sélectionnez la valeur de température correcte.
- Panne d'électricité possible.  
>>> Le réfrigérateur commencera à fonctionner normalement lorsque le courant sera rétabli.

## **Le bruit de fonctionnement augmente lorsque le réfrigérateur est en marche.**

- Les performances de fonctionnement du réfrigérateur peuvent varier en fonction des variations de la température ambiante.  
>>> Il s'agit d'un phénomène normal et non d'un défaut.

## **Il y a des vibrations ou des bruits.**

- Le plancher n'est peut-être pas stable ou nivelé.  
>>> Si le réfrigérateur tremble lorsqu'il est déplacé, chargez-le légèrement pour l'équilibrer. Assurez-vous que le plancher est nivelé et capable de supporter le réfrigérateur.
- Des objets posés sur le réfrigérateur peuvent provoquer des bruits.  
>>> Retirez tous les objets du réfrigérateur.

## **Le réfrigérateur émet des bruits semblables à des renversements ou de la pulvérisation de liquides.**

- En raison du fonctionnement du réfrigérateur, des liquides et des gaz circulent à l'intérieur.  
>>> Il s'agit d'un phénomène normal et non d'un défaut.

## **Le réfrigérateur émet un sifflement.**

- Des ventilateurs sont utilisés pour refroidir le réfrigérateur.  
>>> Il s'agit d'un phénomène normal et non d'un défaut.



### **De l'humidité s'accumule sur les parois intérieures du réfrigérateur.**

- Le temps chaud et humide augmente le givrage et la condensation.  
>>> Il s'agit d'un phénomène normal et non d'un défaut.
- Les portes peuvent avoir été ouvertes fréquemment ou laissées entrouvertes pendant une longue période.  
>>> Ne pas ouvrir les portes fréquemment. Fermez la porte si celle-ci est ouverte.
- La porte est peut-être restée entrouverte.  
>>> Fermez complètement la porte.

### **De l'humidité se forme sur la surface extérieure du réfrigérateur ou entre les portes.**

- L'air est peut-être humide. Ce phénomène est normal par temps humide.  
>>> La condensation disparaîtra lorsque le niveau d'humidité diminuera.
- Il peut y avoir de la condensation externe au niveau de la partie située entre les deux portes du réfrigérateur si vous utilisez rarement votre produit.  
>>> Il s'agit d'un phénomène normal. La condensation disparaît en cas d'utilisation fréquente.

### **Il y a une mauvaise odeur à l'intérieur du réfrigérateur.**

- Le réfrigérateur n'a peut-être pas été nettoyé régulièrement.  
>>> Nettoyez l'intérieur du réfrigérateur avec une éponge et de l'eau tiède ou de l'eau additionnée de bicarbonate de soude.
- Certains récipients ou matériaux d'emballage peuvent être à l'origine de l'odeur.  
>>> Utilisez un autre récipient ou des matériaux d'emballage d'une autre marque.
- Des aliments ont peut-être été placés dans le réfrigérateur dans des récipients dépourvus de couvercle.  
>>> Conservez les aliments dans des récipients couverts.
- Les microorganismes rejetés par les récipients dépourvus de couvercle peuvent être la cause d'odeurs désagréables.  
>>> Retirez du réfrigérateur les aliments périmés ou avariés.

## DÉPANNAGE

### La porte ne se ferme pas.

- Il se peut que des emballages d'aliments empêchent la fermeture de la porte.  
>>> Déplacez les paquets qui obstruent la porte.
- Le réfrigérateur est peut-être instable sur le plancher.  
>>> Réglez les pieds du réfrigérateur en fonction des besoins pour l'équilibrer.
- Le plancher n'est peut-être pas nivelé ou solide.  
>>> Assurez-vous que le plancher est nivelé et capable de supporter le réfrigérateur.

### Les bacs à légumes sont coincés.

- Les aliments entrent peut-être en contact avec la paroi supérieure du bac à légumes.  
>>> Réorganisez les aliments dans le bac à légumes.

**A**

**⚠ AVERTISSEMENT**

Si le problème persiste après avoir suivi les instructions de cette section, veuillez contacter votre revendeur ou le centre de service agréé.

Ne jamais essayer de réparer un produit qui présente des dysfonctionnements.

## ¡Lea este manual de antes de usar el producto!

Estimado cliente,

Queremos que obtenga los mejores resultados de su producto, que ha sido fabricado meticulosamente en instalaciones modernas y probado con detalladas verificaciones de control de calidad.

Por este motivo, le recomendamos leer este manual detenidamente antes de usar el producto.

Si le transfiere el producto a un tercero, recuerde incluir también este manual.

### **Este manual le ayudará a usar su producto de forma rápida y segura.**

- Lea este manual de usuario detenidamente antes de instalar y usar el producto.
- Siga siempre todas las instrucciones de seguridad aplicables.
- Mantenga el manual de usuario en un lugar de fácil acceso para su uso posterior.
- Lea todos los otros documentos incluidos con el producto.

Tenga en cuenta que este manual podría aplicar a varios modelos del producto. Este manual indica expresamente las diferencias entre distintos modelos.

**A**

Riesgo de lesiones y daños a la propiedad

**B**

Riesgo de descarga eléctrica

**C**

Información importante y consejos útiles



Los materiales de embalaje de este producto se han fabricado a partir de materiales reciclables de acuerdo con las normas ambientales nacionales.

# ÍNDICE

<b>1. INSTRUCCIONES DE SEGURIDAD IMPORTANTES RELATIVAS A LA SEGURIDAD Y EL MEDIO AMBIENTE</b>	
<b>1.1 Seguridad general</b>	53
<b>1.2 Uso previsto</b>	55
<b>1.3 Seguridad de los niños</b>	55
<b>1.4 Cumplimiento con la directiva RAEE y eliminación de equipos de desecho:</b>	56
<b>1.5 Cumplimiento con la directiva RoHS:</b>	56
<b>1.6 Información de embalaje</b>	56
<b>1.7 Advertencia de hidrocarburo (HC).</b>	57
<b>1.8 Para productos con dispensador de agua/máquina de hielo</b>	58
<b>2. LISTA DE COMPONENTES DEL REFRIGERADOR</b>	59
<b>3. INSTRUCCIONES DE CONFIGURACIÓN DEL PANEL DE CONTROL</b>	60
<b>3.1 Botón de encendido/apagado</b>	60
<b>3.2 Botón de selección de funciones / bloqueo infantil</b>	60
<b>3.3 Botón de ajuste de la temperatura del compartimento del refrigerador</b>	61
<b>3.4 Botón de ajuste de la temperatura del compartimento de especial del refrigerador</b>	61
<b>3.5 Botón de ajuste del compartimento del freezer</b>	61
<b>3.6 Modo vacaciones</b>	61
<b>3.7 Modo Sabbath</b>	61
<b>3.8 Modo ecológico</b>	61
<b>3.9 Dispensador de agua (si corresponde)</b>	62
<b>3.10 Máquina de hielo (si corresponde)</b>	62
<b>3.11 Reemplazo del filtro de agua (si corresponde)</b>	62
<b>3.12 Selección de Celsius y Fahrenheit</b>	62
<b>4. ANTES DE USAR EL REFRIGERADOR</b>	62
<b>4.1 Medidas a tomar para ahorrar energía</b>	62
<b>4.2 Recomendaciones sobre el compartimento para alimentos frescos.</b>	63
<b>4.3 Uso inicial</b>	63
<b>5. OPERACIÓN DEL PRODUCTO</b>	64
<b>5.1 Sistema de refrigeración doble</b>	64
<b>5.2 Congelamiento de alimentos frescos</b>	64
<b>5.3 Recomendaciones para almacenar alimentos congelados</b>	65
<b>5.4 Almacenamiento de alimentos</b>	65
<b>5.5 Temperatura de funcionamiento</b>	66
<b>5.6 Contenedor de la puerta</b>	66
<b>5.7 Estantes de vidrio</b>	66
<b>5.8 Compartimento del cajón de verduras</b>	67
<b>5.9 Compartimento especial del refrigerador</b>	68
<b>5.10 Cajón de verduras del freezer</b>	69
<b>6. CUIDADO Y LIMPIEZA</b>	70
<b>6.1 Cómo evitar los malos olores</b>	70
<b>6.2 Protección de las superficies plásticas</b>	71
<b>6.3 Limpieza de superficies interiores</b>	71
<b>6.4 Superficies exteriores de acero inoxidable</b>	71
<b>7. SOLUCIÓN DE PROBLEMAS</b>	72

# INSTRUCCIONES DE SEGURIDAD IMPORTANTES RELATIVAS A LA SEGURIDAD Y EL MEDIO AMBIENTE

Este capítulo incluye información de seguridad que le ayudará a evitar riesgos de lesiones personales o daños a la propiedad.

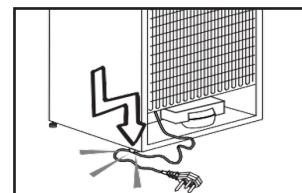
No seguir estas instrucciones anulará toda garantía del producto.

## 1.1 Seguridad general

- Este producto puede ser usado por niños de 8 años o más, así como por personas con capacidades físicas, sensoriales o mentales limitadas y personas que no cuenten con experiencia e información si han sido informados sobre el uso seguro del producto, están supervisadas y se hayan eliminado los riesgos.
- Los niños no deben jugar con el producto.
- Los niños no deberán realizar las tareas de limpieza y cuidado del producto a no ser que bajo la supervisión de un adulto.
- Si el producto falla durante su uso, desenchúfelo.
- Si el producto funciona mal, no deberá utilizarse hasta que lo repare el centro de servicio autorizado.

### ¡Riesgo de descarga eléctrica!

- Enchufe el producto en un tomacorriente con conexión a tierra protegido por un fusible que se corresponda con el valor de su placa de identificación.
- Haga que un electricista calificado conecte el producto a tierra.



Nuestra empresa no podrá ser considerada responsable por daños resultantes de no usar el producto con un tomacorriente conectado a tierra de según las reglamentaciones locales.

- Desenchufe el producto cuando no esté en uso.
- ¡Nunca lave el producto rociando o vertiendo agua en su interior!

### ¡Riesgo de descarga eléctrica!

- ¡Nunca toque el producto con las manos mojadas!
- Nunca tire del cable del producto para desenchufarlo.
- Para tirar del enchufe, siempre sostenga el tomacorriente.
- No enchufe el refrigerador si el tomacorriente está flojo.
- Nunca conecte su refrigerador a dispositivos de ahorro de energía.
- Dichos sistemas son perjudiciales para su producto.
- Desenchufe el producto durante su instalación, o mientras realiza su mantenimiento, limpieza o reparación.

## INSTRUCCIONES DE SEGURIDAD IMPORTANTES RELATIVAS A LA SEGURIDAD Y EL MEDIO AMBIENTE

- Siempre haga que un **Centro de servicio autorizado** instale el producto y determine sus conexiones eléctricas.

El fabricante no podrá ser considerado responsable por daños causados por procedimientos realizados por personas no autorizadas.

- ¡No coma helado o cubos de hielo inmediatamente después de retirarlos del freezer!
  - ¡Esto podría causarle quemaduras por congelamiento en la boca!
- ¡No toque alimentos congelados con sus manos mojadas! ¡Podrían quedar adheridos a su mano!
- No coloque bebidas embotelladas o enlatadas en el freezer.
  - ¡Podrían explotar!
- Nunca use vapor o limpiador de vapor para limpiar o descongelar el refrigerador.  
¡El vapor entra en contacto con las partes energizadas de su refrigerador, lo que podría causar un cortocircuito o una descarga eléctrica!
- No use dispositivos mecánicos u otros medios para acelerar el proceso de descongelamiento más allá de los recomendados por el fabricante.
- Nunca use partes del refrigerador tales como la puerta o el cajón para apoyarse o para caminar.
  - Esto podría causar que el producto se vuelque o se dañen sus partes.
- No dañe las partes por las que circula el refrigerante con herramientas perforantes o cortantes.
  - El refrigerante que podría escapar si se perforan los canales de gas del evaporador, extensiones de las tuberías o recubrimientos de superficies causa irritación de la piel y lesiones oculares.
- No cubra ni bloquee los orificios de ventilación de su refrigerador con ningún objeto.
- Coloque las bebidas de alto contenido alcohólico verticalmente con tapas herméticamente cerradas.
- ¡No use aerosoles gaseosos cerca del producto, ya que esto generará un riesgo de incendio o explosión!
- Nunca guarde dentro del producto artículos inflamables o productos que contengan gases inflamables (p. ej. aerosoles), ni tampoco materiales explosivos.
- No coloque sobre el producto recipientes llenos de líquido. Rociar agua sobre una pieza eléctrica podría causar descargas eléctricas o riesgos de incendio.
- No almacene en el refrigerador artículos que necesiten un valor preciso de temperatura (tales como vacunas, medicaciones sensibles al calor, materiales científicos, etc.).
- Si no va a usar el producto por un tiempo prolongado, desenchúfelo y retire todos los alimentos de su interior.
- Si hay una luz azul en el refrigerador, no la mire con herramientas ópticas.

# INSTRUCCIONES DE SEGURIDAD IMPORTANTES RELATIVAS A LA SEGURIDAD Y EL MEDIO AMBIENTE

- Exponer el producto a la lluvia, la nieve, el sol o el viento genera un riesgo para la seguridad eléctrica.
- En productos con un control mecánico (termostato), espere 5 minutos para volver a enchufar el producto después de desenchufarlo.
- No sobrecargue el refrigerador. Los objetos dentro del refrigerador podrían caerse al abrir la puerta, lo que podría causar lesiones o daños.
  - Problemas similares podrían ocurrir si se coloca cualquier objeto sobre el producto.
- Si la puerta del producto cuenta con una manilla, no tire de la manilla para mover el producto.
  - La manilla podría estar floja.
- Tenga cuidado de no introducir su mano ni cualquier otra parte del cuerpo dentro de las partes móviles del refrigerador.
- No introduzca su mano ni cualquier otro objeto extraño dentro de la máquina de hielo mientras está funcionando.

## 1.2 Uso previsto

- Este producto ha sido diseñado para uso doméstico. No es adecuado para uso comercial y no debe ser usado para otro uso que el previsto.
- Solo puede usarse para almacenar alimentos.
- El fabricante no será responsable por daño alguno resultante de un uso o transporte inadecuado.
- Los repuestos originales estarán disponibles durante 10 años a partir de la fecha de compra del producto.

## 1.3 Seguridad de los niños

- Si la puerta del producto tiene cerradura, la llave deberá mantenerse fuera del alcance de los niños.
- No permita que los niños jueguen con este producto.

### **▲ PELIGRO**

# A

Antes de desechar su viejo refrigerador o freezer:

- Los niños podrían quedarse atascados en su interior.
- Quítele las puertas.
- Deje los estantes para evitar que los niños entren al producto fácilmente.

## INSTRUCCIONES DE SEGURIDAD IMPORTANTES RELATIVAS A LA SEGURIDAD Y EL MEDIO AMBIENTE

### 1.4 Cumplimiento con la directiva RAEE y eliminación de equipos de desecho:

Este producto cumple con la Directiva RAEE de la UE (2012/19 UE).

Este producto cuenta con un símbolo de clasificación para residuos de aparatos eléctricos y electrónicos (RAEE).

Este producto ha sido fabricado con piezas y materiales de alta calidad que pueden reutilizarse y son adecuados para reciclar.

Por lo tanto, al final de su vida útil, no deseche este producto junto con desechos domésticos normales y otros desechos.

Llévelo a un centro de recolección para reciclaje de aparatos eléctricos y electrónicos.

Consulte a las autoridades locales para informarse sobre las ubicaciones de dichos centros de recolección.



### 1.5 Cumplimiento con la directiva RoHS:

El producto que ha comprado cumple con la Directiva RoHS de la UE (2011/65/AB).

No contiene materiales dañinos o prohibidos especificados en la Directiva.

### 1.6 Información de embalaje

- Los materiales de embalaje de este producto se han fabricado a partir de materiales reciclables de acuerdo con las normas ambientales nacionales.
- No deseche los materiales de embalaje junto a los desechos domésticos normales o junto a otros tipos de desechos.
- Lleve estos materiales a un punto de reciclaje determinado por las autoridades locales.



# INSTRUCCIONES DE SEGURIDAD IMPORTANTES RELATIVAS A LA SEGURIDAD Y EL MEDIO AMBIENTE

**A**

**⚠ PELIGRO**

Riesgo de incendio o explosión:

- Este producto usa un refrigerante inflamable.
- No use dispositivos mecánicos para descongelar el refrigerador.
- No use agentes químicos para limpiarlo.
- No perforo la tubería del refrigerante.
- Si se perfora la tubería del refrigerante, solo podrá repararla personal de servicio autorizado.
- Consulte el manual de reparación/uso antes de limpiar el producto.

Deben seguirse todas las instrucciones de seguridad.

- Deseche el producto de acuerdo con las normativas federales o locales.

## 1.7 Advertencia de hidrocarburo (HC)

- Si el sistema de refrigeración de su producto contiene R600a:
  - Este gas es inflamable.
  - Por lo tanto, asegúrese de no dañar el sistema de refrigeración o la tubería durante su uso y transporte.
- Si el producto se daña, manténgalo alejado de potenciales fuentes de fuego que podrían hacer que el producto se incendie y ventile la habitación donde se encuentra el producto.

**C** Si el producto se daña y ve una fuga de gas, aléjese del gas. Podría causar quemaduras por frío cuando entre en contacto con la piel. (incluyendo R600a)

---

**C** Si el sistema de refrigeración de su producto contiene R134a, ignore esta advertencia.

---

**C** El tipo de gas utilizado en el producto se indica en la placa de identificación, que se encuentra en la pared izquierda dentro del refrigerador.

---

**A** **⚠ ADVERTENCIA**  
Nunca arroje el producto al fuego para su eliminación.

## INSTRUCCIONES DE SEGURIDAD IMPORTANTES RELATIVAS A LA SEGURIDAD Y EL MEDIO AMBIENTE

### 1.8 Para productos con dispensador de agua/máquina de hielo

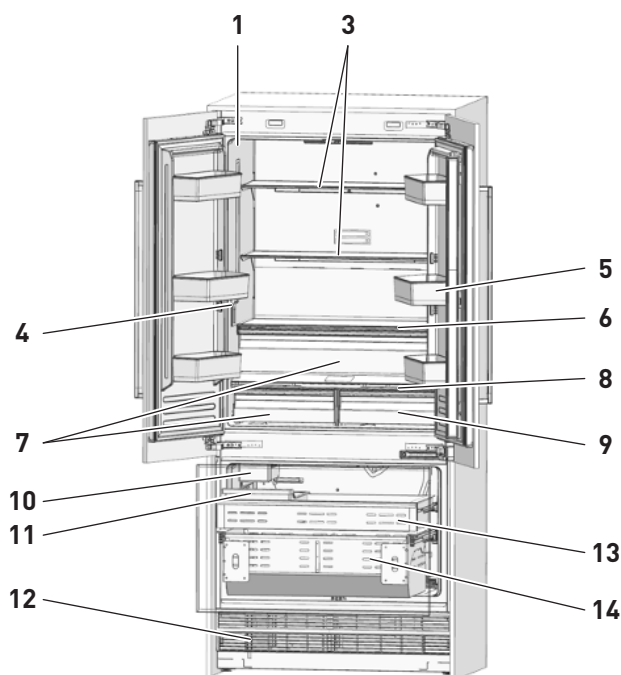
- La presión de operación para la entrada de agua fría debe ser de entre 1 y 5.5 bares.
  - Si la presión del agua supera los 80 psi / 5.5 bares, instale una válvula limitadora de presión en su sistema de suministro.
- Si la presión del suministro es menor a 1 bar, puede usar una bomba auxiliar para compensar por la baja presión.
- Si no sabe cómo comprobar la presión de agua, consulte a un fontanero profesional.
- Si existe un riesgo de golpe de ariete en su instalación, siempre use en esa instalación un dispositivo de protección contra el golpe de ariete.
- Consulte a un fontanero profesional si no está seguro acerca de si hay golpe de ariete en su instalación.
- No haga ninguna instalación en la entrada de agua caliente.
- Tome las medidas necesarias para evitar el riesgo de que se congelen las tuberías.
- El rango de operación de la temperatura del agua es de entre un mínimo de 33 °F / 0.6 °C y un máximo de 100 °F / 38 °C.

**A**

**⚠ ADVERTENCIA**

Nunca conecte el producto a un suministro de agua fría con una presión de 80 psi / 5.5 bares o más.

## LISTA DE COMPONENTES DEL REFRIGERADOR



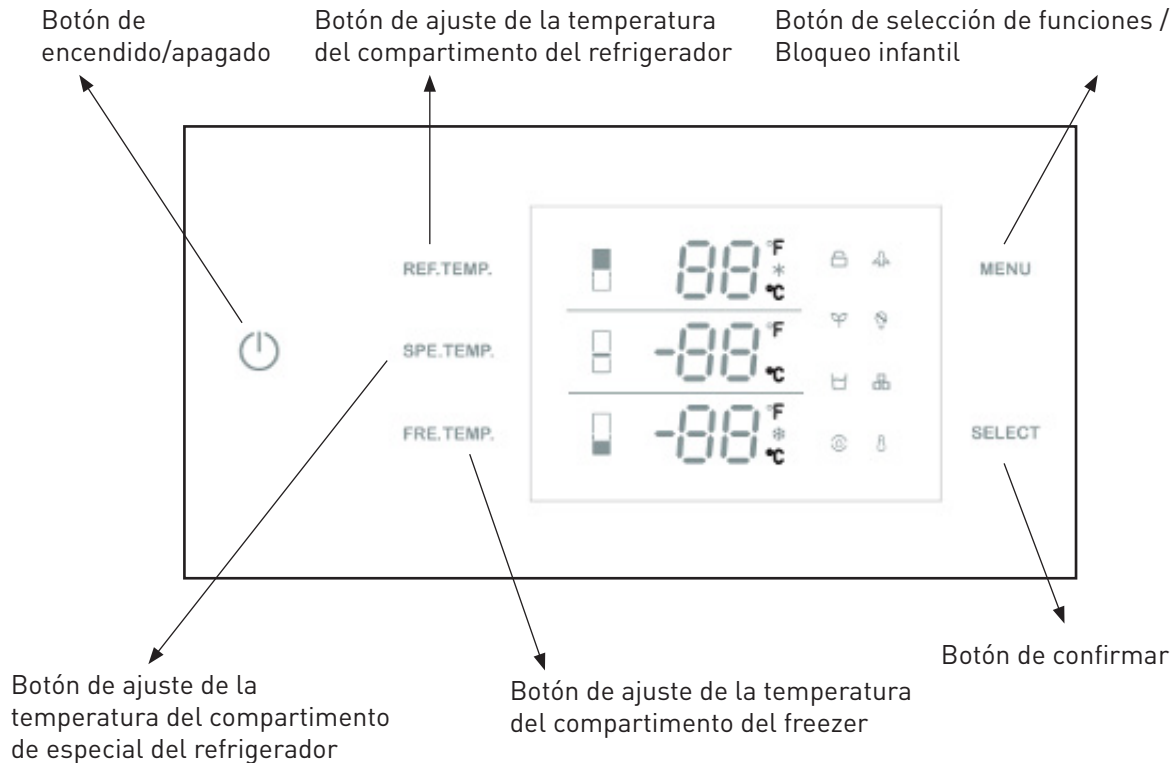
- |   |  |
|---|--|
| 1. Filtro de agua (si corresponde)                        | 8. Pantalla del control                  |
| 2. Contenedor de la puerta                                | 9. Compartimento de temperatura especial |
| 3. Estante del compartimento principal (altura ajustable) | 10. Máquina de hielo (si corresponde)    |
| 4. Dispensador de agua                                    | 11. Caja para hielo (si corresponde)     |
| 5. Contenedor de la puerta de galón (altura ajustable)    | 12. Condensador                          |
| 6. Filtro de olores                                       | 13. Cajón superior                       |
| 7. Cajón de verduras                                      | 14. Cajón inferior                       |

**Podría no estar presente en todos los modelos.**

**C**

Las imágenes de este manual son esquemáticas y podrían no coincidir exactamente con el producto. Si su producto no cuenta con todas las partes correspondientes, la información es válida para otros modelos.

# INSTRUCCIONES DE CONFIGURACIÓN DEL PANEL DE CONTROL



Podría no estar presente en todos los modelos.

**C**

Las imágenes de este manual son esquemáticas y podrían no coincidir exactamente con el producto. Si su producto no cuenta con todas las partes correspondientes, la información es válida para otros modelos.

## 3.1 Botón de encendido/apagado

Sirve para encender y apagar el producto. Presione el botón para encender el producto. El producto se encenderá en 5 segundos. Presione el botón de encendido/apagado durante 1.5 segundos para apagar el producto.

## 3.2 Botón de selección de funciones / bloqueo infantil

El bloqueo infantil es una función de seguridad que impide que los niños cambien los ajustes del producto. Presione el botón MENÚ durante 3 segundos para bloquear/desbloquear el panel de control.

Cuando esta función se activa, el sistema de bloqueo se iluminará en la pantalla.

# INSTRUCCIONES DE CONFIGURACIÓN DEL PANEL DE CONTROL

## 3.3 Botón de ajuste de la temperatura del compartimento del refrigerador

Presione el botón REF TEMP para ajustar la temperatura entre 36 °F / 2 °C y 46 °F / 8 °C.

La mejor temperatura para el compartimento para alimentos frescos es 39 °F / 4 °C.

## 3.4 Botón de ajuste de la temperatura del compartimento de especial del refrigerador

Presione el botón SPE TEMP para ajustar la temperatura del compartimento especial del refrigerador entre 30 °F / -1 °C y 41 °F / 5 °C.

## 3.5 Botón de ajuste del compartimento del freezer

Presione el botón FRE TEMP para ajustar la temperatura del compartimento del freezer entre 5 °F / -15 °C y -11 °F / -24 °C.

\* Si presiona el botón después de -11 °F / -24 °C, se activará la función de súper congelado. Cuando se ilumina el símbolo de nieve en la pantalla, estará activada la función de súper congelado.

**NOTA:** El ajuste de temperatura predeterminado es de 41 °F / 5 °C para el compartimento del refrigerador, 36 °F / 2 °C para el compartimento especial del refrigerador y 0 °F / -18 °C para el compartimento del freezer.

## 3.6 Modo vacaciones

Presione el botón MENU hasta que se ilumine el símbolo de Vacaciones. Después presione el botón SELECT para activar la función.

Cuando se activa el Modo vacaciones, la temperatura del refrigerador se ajustará automáticamente a 63 °F / 17 °C y la temperatura del freezer a 0 °F / -18 °C.

**NOTA:** No coloque alimentos en el compartimento para alimentos frescos al elegir modo vacaciones.

## 3.7 Modo Sabbath

Presione el botón MENU hasta que se ilumine el símbolo de modo Sabbath. Después presione el botón SELECT para activar la función.

Cuando se active el modo Sabbath, se apagarán todas las luces, timbres y paneles de control.

## 3.8 Modo ecológico

Presione el botón MENU hasta que se ilumine el símbolo de Modo ecológico. Después presione el botón SELECT para activar la función.

Cuando se activa la función de Modo ecológico, la temperatura del refrigerador se ajustará a 46 °F / 8 °C y la temperatura del freezer se ajustará a 5 °F / -15 °C automáticamente.

## INSTRUCCIONES DE CONFIGURACIÓN DEL PANEL DE CONTROL

### 3.9 Dispensador de agua (si corresponde)

Presione el botón MENU hasta que se ilumine el símbolo de Dispensador de agua. Después presione el botón SELECT para activar la función.

Cuando el dispensador de agua se active, el dispensador integrado en la pared interna entregará agua fresca.

### 3.10 Máquina de hielo (si corresponde)

Presione el botón MENU hasta que se ilumine el símbolo de máquina de hielo. Después presione el botón SELECT para activar la función.

Cuando se activa la máquina de hielo, esta funciona automáticamente y los cubos de hielo se acumulan en la bandeja para hielo.

**NOTA:** Prepare el filtro de agua para usarlo antes de usar el hielo. Después de conectar el refrigerador a un suministro de agua o reemplazar el filtro de agua, llene y descarte dos contenedores de hielo completos.

### 3.11 Reemplazo del filtro de agua (si corresponde)

El símbolo del filtro de agua parpadea y emite pitidos para notificarle que debe reemplazar el filtro de agua.

Cuando termine, mantenga presionado el botón SELECT durante 5 segundos para restablecerlo.

El tiempo de reemplazo predeterminado es de 130 días.

### 3.12 Selección de Celsius y Fahrenheit

Presione el botón MENÚ hasta que se encienda el símbolo de selección de Celsius y Fahrenheit para cambiar entre grados Celsius y Fahrenheit. A continuación, presione el botón SELECT para confirmar.

## ANTES DE USAR EL REFRIGERADOR

### 4.1 Medidas a tomar para ahorrar energía

**A**

Conectar su refrigerador a sistemas de ahorro de energía es peligroso, ya que estos podrían dañar el producto.

- No deje abiertas las puertas de su refrigerador por mucho tiempo.
- No guarde alimentos o bebidas calientes en su refrigerador.

## ANTES DE USAR EL REFRIGERADOR

- No sobrecargue el refrigerador. El desempeño de refrigeración se verá reducido si la circulación de aire dentro del refrigerador está obstaculizada.
- No coloque el refrigerador expuesto a la luz solar directa.
- Instale el producto a al menos 30 cm de fuentes de calor tales como quemadores, hornos, unidades de calefacción y estufas y a al menos 5 cm de hornos eléctricos.
- Guarde sus alimentos en contenedores cerrados dentro del refrigerador.
- Puede extraer el estante cajón del compartimento del freezer para llenar todo el volumen el compartimento del freezer con alimentos.
- El valor de consumo energético declarado del refrigerador se ha determinado con el cajón o estante del compartimento del freezer retirado y el refrigerador cargado con la cantidad máxima de alimentos.
- Puede utilizar los estantes y cajones de acuerdo con las formas y tamaños de los alimentos a congelar.
- Descongelar los alimentos en el compartimento del refrigerador ahorra energía y conserva la calidad de los alimentos.

**C**

La temperatura de la sala en la que se encuentra su refrigerador debe ser al menos 50 °F / 10 °C. Por cuestiones de eficiencia, no se recomienda utilizar su refrigerador en condiciones más frías.

**C**

Limpie a fondo el interior de su refrigerador.

**C**

Si desea instalar dos refrigeradores uno al lado del otro, deberá dejar un espacio de al menos 4 cm entre ellos.

### 4.2 Recomendaciones sobre el compartimento para alimentos frescos

- Asegúrese de que los alimentos no toquen el sensor de temperatura en el compartimento para alimentos frescos.
- Para que el compartimento para alimentos frescos mantenga su temperatura de almacenamiento ideal, el sensor no debe estar obstaculizado por alimentos.
- No coloque alimentos o bebidas calientes en el interior del producto.

### 4.3 Uso inicial

- Antes de usar el producto, asegúrese de que se hayan realizado todos los preparativos indicados en las instrucciones de los capítulos "Instrucciones de seguridad importantes relativas a la seguridad y el entorno" e "Instrucciones de instalación".
- Limpie el interior del refrigerador según lo recomendado en la sección "Mantenimiento y limpieza".
- Antes de encender el refrigerador, asegúrese de que el interior esté seco.

## ANTES DE USAR EL REFRIGERADOR

- Enchufe el refrigerador a un tomacorriente con conexión a tierra. Cuando la puerta del refrigerador se abre, se enciende la iluminación del interior.
- Deje el refrigerador encendido durante 6 horas sin colocar alimentos en su interior y sin abrir su puerta a no ser que sea necesario.

**C**

Cuando se encienda el compresor, escuchará un sonido. Los líquidos y gases contenidos dentro del sistema de refrigeración también podrían generar ruido, incluso si el compresor no está funcionando, lo cual es normal.

**C**

El frente del refrigerador podría estar caliente.

Esto es normal.

Estas áreas están diseñadas para estar calientes de forma de evitar la condensación.

## OPERACIÓN DEL PRODUCTO

### 5.1 Sistema de refrigeración doble

- Su refrigerador está equipado con dos sistemas de refrigeración independientes para refrigerar el compartimento para alimentos frescos y el compartimento del freezer.
- Esto asegura que el aire y los olores del compartimento para alimentos frescos no se mezclan con los del compartimento para alimentos congelados.
- Gracias a este diseño, la velocidad de refrigeración es muy superior a la de otros refrigeradores.
- Además, esto permite ahorrar energía gracias a que el descongelamiento se hace de forma independiente.

### 5.2 Congelamiento de alimentos frescos

- Envuelva el alimento o colóquelo dentro de un contenedor cerrado antes de ponerlo dentro del refrigerador.
- Espere a que los alimentos y bebidas calientes se enfríen a temperatura ambiente antes de ponerlos dentro del refrigerador.
- Los alimentos que vaya a congelar deben estar frescos y en buen estado.
- Divida los alimentos en porciones adecuadas a las necesidades de consumo diario o por comidas de su familia.
- Embale los alimentos de forma hermética para evitar que se sequen, incluso si solo los guardará por un tiempo corto.
- Los materiales usados para el embalado deben ser resistentes a los desgarros y al frío, la humedad, los olores, los aceites y los ácidos, además de ser herméticos.



## OPERACIÓN DEL PRODUCTO

- Además, deben estar bien sellados y hechos de materiales fáciles de manipular y adecuados para freezers.
- Los alimentos congelados deben usarse inmediatamente después de descongelarse y nunca deberán volver a congelarse.
- No congele cantidades demasiado grandes de alimentos de una vez.
- La calidad del alimento se conserva mejor cuando se congela por completo lo más rápido posible.
- Si coloca alimentos calientes dentro del freezer, hará que el sistema de refrigeración funcione de forma continua hasta que el alimento quede completamente congelado.

### 5.3 Recomendaciones para almacenar alimentos congelados

- Los alimentos congelados que compre deben almacenarse según las condiciones y temperaturas indicados por el fabricante del alimento.
- Para asegurarse de preservar la alta calidad lograda por el fabricante del alimento congelado y el vendedor minorista, siga estos lineamientos:
  1. Coloque los paquetes dentro del freezer lo antes posible luego de comprarlos.
  2. Asegúrese de que los contenidos del paquete estén etiquetados con descripción y fecha.
  3. Verifique que la fecha de caducidad del paquete no haya expirado.

### 5.4 Almacenamiento de alimentos

Estantes del compartimento del freezer	Distintos alimentos congelados como carne, pescado, helado, vegetales, etc.
Bandeja para huevos	Huevos
Estantes del compartimento del refrigerador	Alimentos en cacerolas, platos cubiertos y contenedores cerrados
Estantes de la puerta del compartimento del refrigerador	Alimentos pequeños y empacados o bebidas (tales como leche, jugo de fruta, cerveza, etc.)
Cajón de verduras	Verduras y frutas
Compartimento especial del refrigerador	Productos de fiambrería (queso, manteca, salami, etc.)

# OPERACIÓN DEL PRODUCTO

## 5.5 Temperatura de funcionamiento

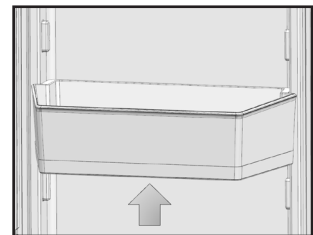
Freezer	Refrigerador	Notas
0 °F / -18 °C	39 °F / 4 °C	Este es el ajuste normal recomendado.
-4 °F / -20 °C	37 °F / 3 °C	Estos ajustes son los recomendados cuando la temperatura ambiente es mayor a 86 °F / 30 °C.
Congelamiento rápido	39 °F / 4 °C	Se utiliza para congelar alimentos en un tiempo corto. Su refrigerador regresará al modo anterior al finalizar el proceso.
-11 °F / -24 °C	35 °F / 2 °C	Use estos ajustes si cree que su compartimento de refrigerador no está lo suficientemente frío a causa de las condiciones ambientales calurosas o porque la puerta se abre y cierra con frecuencia.
0 °F / -18 °C o más frío	Refrigeración rápida	Use esta función cuando haya demasiada comida en el compartimento del refrigerador o cuando necesite refrigerar sus alimentos rápidamente. Se recomienda activar la función Refrigeración rápida 4 a 8 horas antes de almacenar los alimentos.

### Temperatura de funcionamiento recomendada:

Refrigerador: 39 °F / 4 °C, Freezer: 0 °F / -18 °C

## 5.6 Contenedor de la puerta

Para extraerlo, levante el contenedor de la puerta y luego tire de él directamente hacia afuera.



## 5.7 Estantes de vidrio

### Para extraer un estante:

- Abra completamente la puerta correspondiente.
- Sostenga la parte delantera del estante y luego levántelo suavemente y deslícelo hacia afuera.

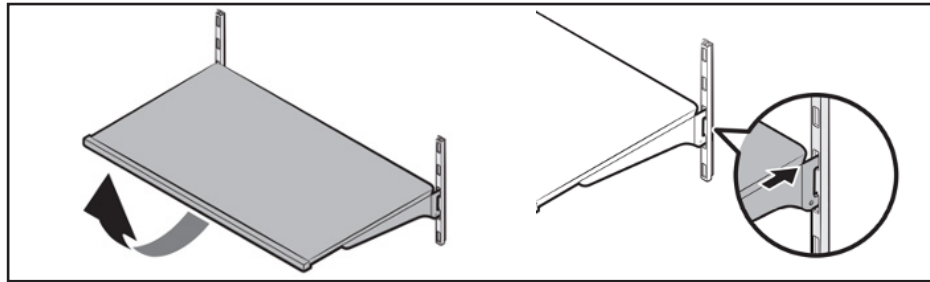
### Para volverlo a insertar:

- Sostenga el estante de forma oblicua de forma que el frente esté más alto que la parte trasera y luego inserte el gancho superior en la muesca del estante superior.
- Coloque el frente levemente hacia abajo.

### NOTA IMPORTANTE:

Tenga cuidado al manipular estantes de vidrio para evitar romper o rayar el interior.

## OPERACIÓN DEL PRODUCTO



**A**

**⚠ ATENCIÓN**

Los estantes de vidrio no deben tener ninguna carga encima.

**A**

**⚠ ATENCIÓN**

Espera a que los estantes de vidrio estén a temperatura ambiente antes de sumergirlos en agua para limpiarlos.

**A**

**⚠ ATENCIÓN**

Es posible que la puerta no cierre si los estantes de la puerta se colocan al mismo nivel que los estantes de vidrio. Asegúrese de que la puerta se cierre después de insertar los estantes.

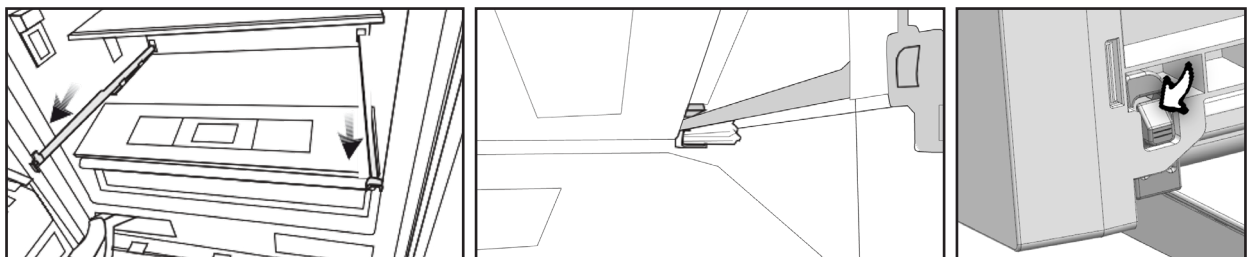
### 5.8 Compartimento del cajón de verduras

#### Para retirar el cajón de verduras:

- Tire del cajón de verduras hasta que detenga su avance.
- Desenganche levemente la sección delantera del cajón y extráigalo por completo.

#### Para instalar el cajón de verduras:

- Retire los rieles hacia afuera por completo.
- Alinee el espacio de las esquinas traseras del cajón de verduras con el detalle ubicado en las esquinas traseras de los rieles.
- Empuje el cajón de verduras lentamente hacia abajo hasta que sienta que el frente se engancha a los rieles.



## OPERACIÓN DEL PRODUCTO

**C**

Asegúrese de que los detalles del lado izquierdo y el derecho hayan quedado fijados.

**C**

Nunca deje verduras dentro de sus bolsas plásticas en el cajón de verduras. Si deja verduras en sus bolsas plásticas, se pudrirán en menos tiempo.

- El compartimento del cajón de verduras mantiene la humedad de sus verduras, lo que le permite almacenarlas por un mayor tiempo sin necesidad de guardarlas en sus bolsas. Si prefiere que las verduras no entren en contacto con otras verduras por motivos de higiene, puede usar papel perforado, espuma plástica o un material similar en vez de bolsas plásticas.
- Al cambiar las verduras, tenga en cuenta sus pesos específicos.
- Coloque las verduras pesadas y duras en la parte inferior del cajón de verduras y las verduras livianas y blandas en la parte superior.
- Las peras, kiwis, tomates, pepinos, albaricoques, duraznos, brócolis, lechugas, repollos, perejil y espinaca son frutas y verduras que emiten gas etileno.
- No los coloque en el mismo cajón de verduras con otras frutas y verduras.
- El gas etileno emitido por estos alimentos hace que las otras frutas y vegetales maduren y se pudran más rápido.
- No retire el cajón para verduras del refrigerador a no ser que sea necesario.

### 5.9 Compartimento especial del refrigerador

Puede controlar la temperatura de este compartimento para almacenar alimentos tales como pescado, carne de res, verduras y productos de delicatessen por tiempo prolongado.

**C**

El procedimiento de extracción/instalación del compartimento especial del refrigerador es el mismo que para el cajón de verduras.

## OPERACIÓN DEL PRODUCTO

### 5.10 Cajón de verduras del freezer

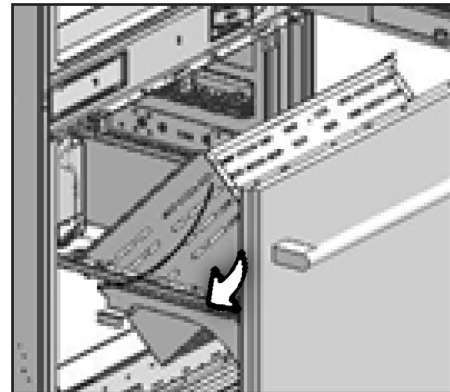
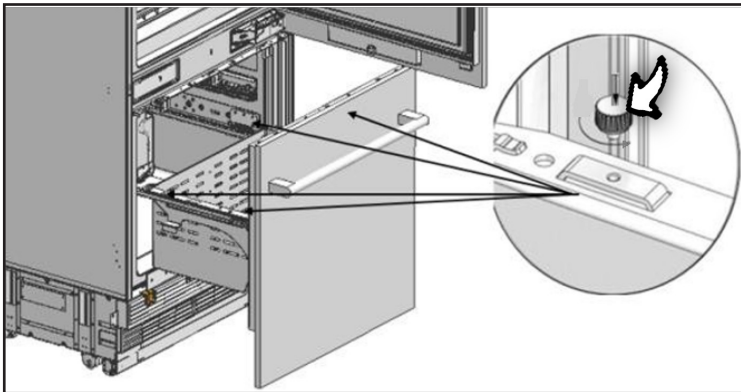
El compartimento del freezer almacena sus alimentos a una temperatura de entre  $-11\text{ }^{\circ}\text{F}$  /  $-24\text{ }^{\circ}\text{C}$  y  $0\text{ }^{\circ}\text{F}$  /  $-18\text{ }^{\circ}\text{C}$  para preservarlos frescos por mucho tiempo.

#### Para retirar el cajón de verduras:

- Abra la puerta del freezer completamente.
- Desatornille el tornillo de fijación del cajón y retírelo con cuidado.

#### Para instalar el cajón de verduras:

- Abra la puerta del freezer completamente.
- Empuje el cajón de verduras lentamente hacia abajo y atornille el tornillo de fijación del cajón.



## CUIDADO Y LIMPIEZA

- Una limpieza frecuente prolongará la vida útil del producto y reducirá la incidencia de problemas comunes.
- Nunca use gasolina, benceno o sustancias similares para limpiar el producto.
- Nunca use herramientas abrasivas punzantes, jabón, limpiadores domésticos, detergentes o cera de lustrar para limpiar el producto.
- Disuelva una cucharadita de bicarbonato de sodio en media pinta de agua. Empape un paño en la solución y escúrralo bien. Use este paño para limpiar el interior del refrigerador y luego séquelo completamente.
- Asegúrese de que no entre agua en la carcasa de la lámpara o en otras partes eléctricas.
- Cuando no vaya a usar el refrigerador durante un tiempo prolongado, desenchúfelo, retire todos los alimentos de su interior, límpielo y deja la puerta entreabierta.
- Verifique periódicamente que las juntas de la puerta estén limpias. Si no están limpias, límpielas.
- Retire todos los artículos del interior del producto para quitar la puerta y los estantes del interior.
- Quite los estantes de la puerta tirando de ellos hacia arriba. Deslice los estantes hacia abajo para reinstalarlos después de limpiarlos.
- Nunca use agua o limpiadores basados en cloro para limpiar las superficies externas o las partes cromadas del producto. El cloro causa abrasión de las superficies metálicas.

### 6.1 Cómo evitar los malos olores

- Para fabricar este refrigerador no se utilizan materiales que generen olor. Sin embargo, podrían emitirse olores si los alimentos se guardan de forma inadecuada o si la superficie interior del producto no se limpia según las indicaciones. Para evitar este problema, considere los siguientes puntos:
- Es importante mantener el refrigerador limpio.
- Los residuos de comida, manchas, etc., pueden generar olor.
- Por este motivo, limpie su refrigerador cada 15 días con bicarbonato de sodio disuelto en agua.
- Nunca use detergente o jabón.
- Guarde sus alimentos en contenedores cerrados. Los microorganismos que salen de los contenedores no cerrados pueden causar mal olor.
- Nunca guarde comida vencida o descompuesta en su refrigerador.

### 6.2 Protección de las superficies plásticas

- No coloque aceites líquidos o alimentos cocinados en aceite dentro de su refrigerador en contenedores no sellados, ya que dañarán las superficies plásticas de su refrigerador.
- Si se derrama o frota aceite en las superficies plásticas, limpie y enjuague el área inmediatamente con agua caliente.

**B**

**⚠ ADVERTENCIA** Apague el producto antes de limpiarlo.

**B**

**⚠ ADVERTENCIA** Se recomienda limpiar el condensador cada seis meses usando guantes. No use una aspiradora.

### 6.3 Limpieza de superficies interiores

- Para limpiar las superficies interiores y todas las partes extraíbles, lávelas con una solución ligera de jabón, agua y bicarbonato de sodio.
- Enjuague y seque completamente.
- No permita que el agua entre en contacto con la lámpara o el panel de control.

### 6.4 Superficies exteriores de acero inoxidable

- Use un limpiador no abrasivo para acero inoxidable y aplíquelo con un paño suave y sin pelusa.
- Para lustrar, primero limpie la superficie suavemente con un paño de microfibra húmedo y luego lustre con un paño de gamuza.
- Siempre siga la dirección del grano del acero inoxidable.

**A**

**⚠ ATENCIÓN**  
No use vinagre, alcohol isopropílico u otros agentes limpiadores basados en alcohol sobre las superficies interiores.

# SOLUCIÓN DE PROBLEMAS

Repase esta lista antes de llamar al servicio de atención al cliente.

Esto le ahorrará tiempo y dinero.

Esta lista incluye problemas comunes que no son el resultado desperfectos de mano de obra o materiales defectuosos.

Es posible que su producto no tenga algunas de las funciones aquí descritas.

## **El refrigerador no funciona.**

- Podría no estar enchufado correctamente.
  - >>> Enchufe el producto correctamente.
- Es posible que se haya quemado el fusible del tomacorriente al que está conectado su refrigerador o el fusible principal.
  - >>> Verifique el fusible.

## **Hay condensación en el compartimento del refrigerador.**

- Es posible que la puerta se haya abierto/cerrado frecuentemente.
  - >>> No abra/cierre la puerta del refrigerador frecuentemente.
- El ambiente podría ser demasiado húmedo.
  - >>> No instale el refrigerador en ubicaciones con alto nivel de humedad.
- Es posible que se hayan colocado alimentos que contienen líquido dentro del refrigerador en contenedores no tapados.
  - >>> No coloque dentro del refrigerador alimentos que contengan líquido dentro en contenedores no tapados.
- La puerta del refrigerador podría haber quedado entreabierta.
  - >>> No deje abiertas las puertas de su refrigerador por mucho tiempo.

## **El compresor no funciona.**

- Una falla de la alimentación o un desenchufado súbitos podrían hacer que se queme el termostato de seguridad del compresor, porque la presión del refrigerante en el sistema de refrigeración aún no se ha ecualizado.
- El refrigerador comenzará a funcionar después de aproximadamente 6 minutos.  
Si el refrigerador no se enciende después de este tiempo, llame al proveedor de servicio autorizado.
- El freezer está en un ciclo de descongelamiento.
  - >>> Esto es normal para un refrigerador que cuenta con función de descongelamiento completamente automático.



## SOLUCIÓN DE PROBLEMAS

### **El ciclo de descongelamiento se realiza periódicamente.**

- El refrigerador podría no estar enchufado.  
>>> Asegúrese de que el enchufe entre en el tomacorriente.
- El ajuste de temperatura podría ser incorrecto.  
>>> Seleccione el valor de temperatura correcto.
- Posible falla de la alimentación.  
>>> El refrigerador comenzará a funcionar normalmente cuando se restaure la alimentación.

### **El ruido de funcionamiento aumenta cuando el refrigerador está funcionando.**

- El desempeño operativo del refrigerador podría variar dependiendo de los cambios en la temperatura ambiente.  
>>> Esto es normal y no es una falla.

### **Hay vibración y ruido.**

- El piso podría no ser estable o estar nivelado.  
>>> Si el refrigerador vibra cuando se lo mueve, cárguelo levemente para equilibrarlo.  
Asegúrese de que el piso esté nivelado y sea capaz de soportar el peso del refrigerador.
- Los objetos colocados sobre el refrigerador podrían causar ruido.  
>>> Retire todos los objetos que estén sobre el refrigerador.

### **Se escuchan ruidos del refrigerador como vertido o rociado de líquidos.**

- Debido a la forma de operación del refrigerador, en su interior fluyen líquidos y gases.  
>>> Esto es normal y no es una falla.

### **El refrigerador emite un sonido de silbido.**

- El refrigerador utiliza ventiladores para enfriarse.  
>>> Esto es normal y no es una falla.

## SOLUCIÓN DE PROBLEMAS

### **Se acumula humedad en las paredes interiores del refrigerador.**

- El clima caluroso y húmedo aumenta la formación de hielo y la condensación.  
>>> Esto es normal y no es una falla.
- Las puertas podrían haberse abierto frecuentemente o haberse dejado entreabiertas por mucho tiempo.  
>>> No abra la puerta con frecuencia. Cierre la puerta si está cerrada.
- La puerta podría haber quedado entreabierta.  
>>> Cierre la puerta completamente.

### **Se acumula humedad Aparece en el exterior del refrigerador o entre las puertas.**

- El aire podría estar húmedo. Esto es normal en climas húmedos.  
>>> La condensación desaparecerá cuando se reduzca la humedad.
- Si usa su producto con poca frecuencia, podría encontrar condensación exterior en el área entre las puertas del refrigerador.  
>>> Esto es normal. La condensación desaparecerá al usar el producto con frecuencia.

### **Hay olor desagradable dentro del refrigerador.**

- Es posible que no se haya limpiado el refrigerador con frecuencia.  
>>> Limpie el interior del refrigerador con una esponja y agua tibia o agua con bicarbonato de sodio.
- Algunos contenedores o materiales de empaque podrían estar generando el olor.  
>>> Use otro contenedor o materiales de empaque de otra marca.
- Es posible que se hayan colocado alimentos dentro del refrigerador en contenedores no tapados.  
>>> Guarde los alimentos en contenedores tapados.
- Los microorganismos que salen de los contenedores no cerrados pueden causar mal olor.  
>>> Retire los alimentos vencidos o descompuestos del refrigerador.

## SOLUCIÓN DE PROBLEMAS

### La puerta no cierra.

- Es posible que haya paquetes de alimentos que impiden cerrar la puerta.
  - >>> Cambie de lugar cualquier paquete que obstruya la puerta.
- Es posible que el refrigerador esté apoyado sobre el suelo de forma inestable.
  - >>> Ajuste las patas del refrigerador según sea necesario para dejar el refrigerador en equilibrio.
- El piso podría no ser estable o estar nivelado.
  - >>> Asegúrese de que el piso esté nivelado y sea capaz de soportar el peso del refrigerador.

### Los cajones de verduras están atascados.

- Es posible que haya alimentos que estén tocando la pared superior del cajón de verduras.
  - >>> Reorganice los alimentos dentro del cajón de verduras.

**A**

**⚠ ADVERTENCIA**

Si después de seguir las instrucciones de esta sección el problema persiste, contacte a su distribuidor o al centro de servicio autorizado.

Nunca intente reparar un producto averiado.

# WELCOME TO THE CLUB

You chose THOR Kitchen to enhance your culinary journey and we're stoked to have you in the club. Think of it as a secret society of really savvy people, such as yourself, choosing professional power and performance at an affordable price.



Register your product by following the steps below.

## WARRANTY REGISTRATION



01

Scan the QR code or visit [thorkitchen.com/warranty](http://thorkitchen.com/warranty)



02

Input your product info and select register



03

You're done. Let's get cookin'.

### WARRANTY



### NEED PARTS?

